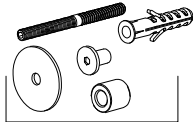


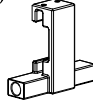
x1



x2



x4/x5



x2



x1



St4x40  
Ø6x30

x2

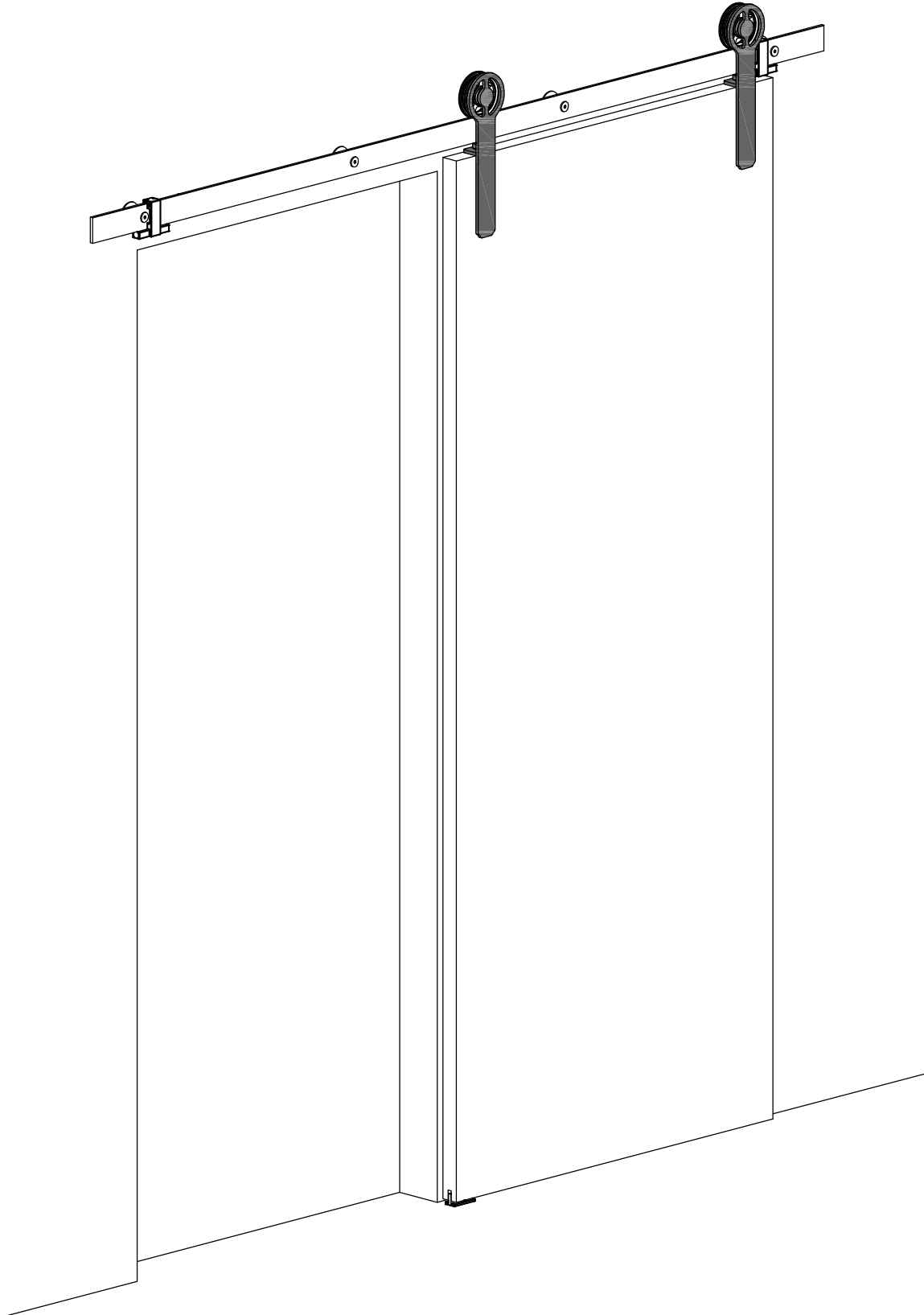


St8x60

x2

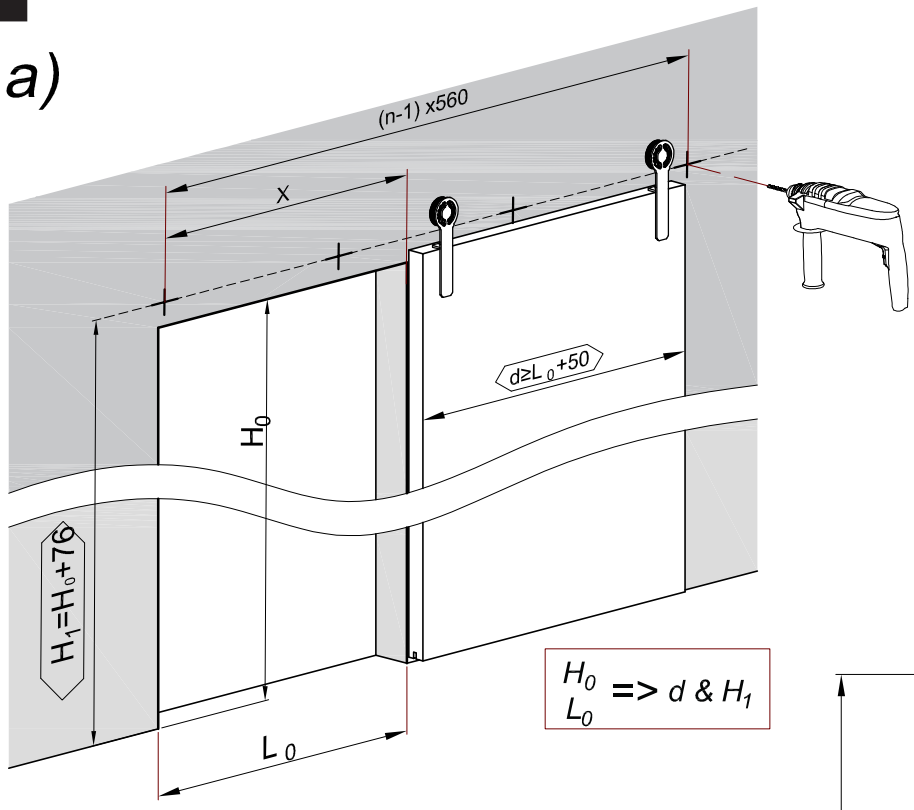


100  
KG

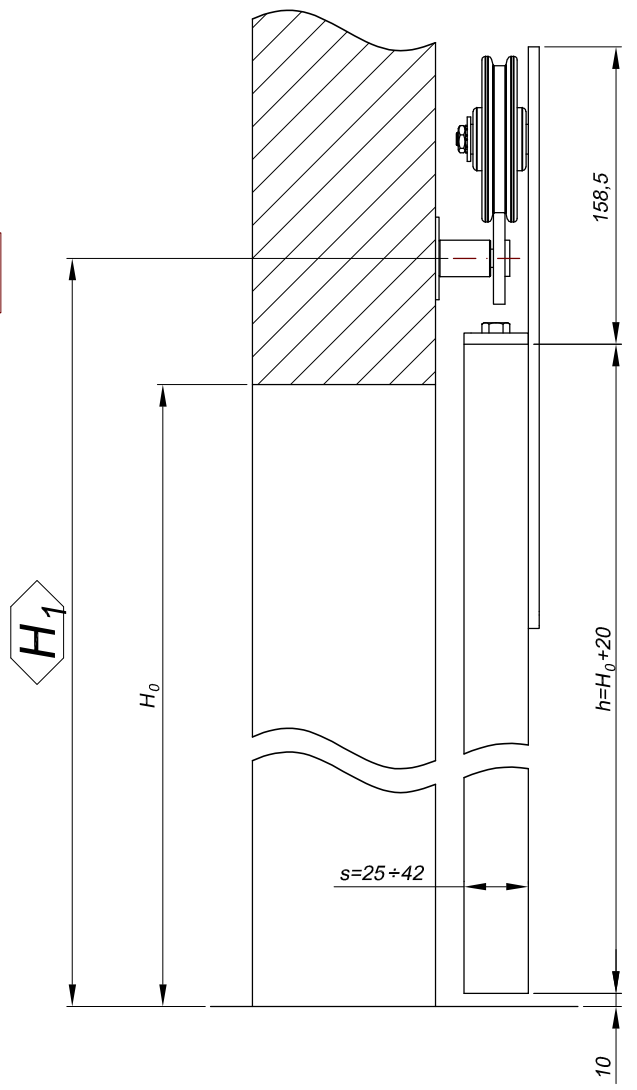


1

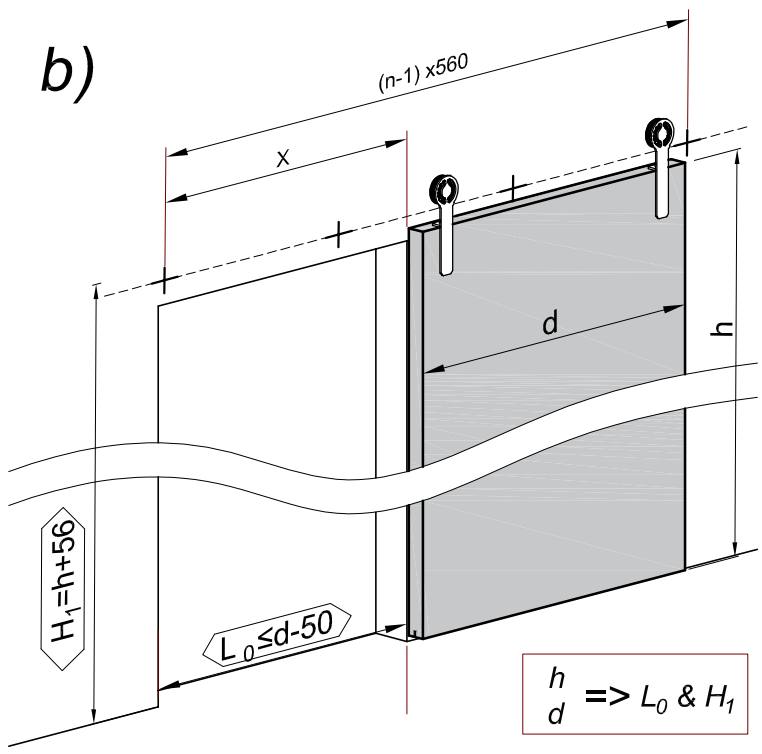
a)

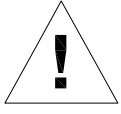



$L_{Track}$ [mm]	1950	2400
X [mm]	840	1120
n	4	5



b)

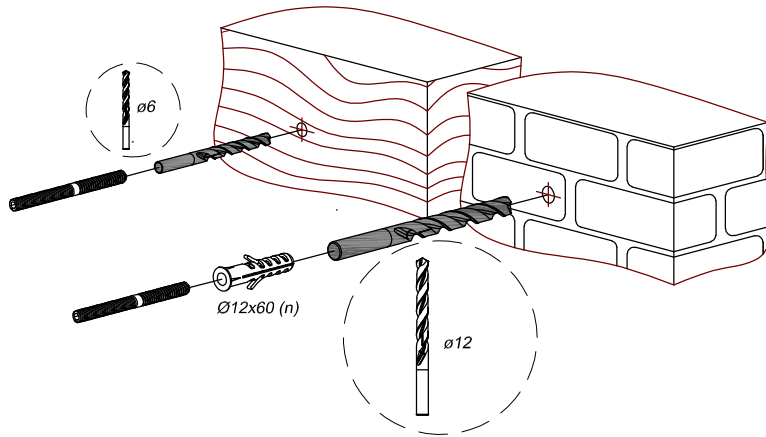
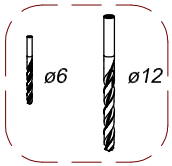


**index** 

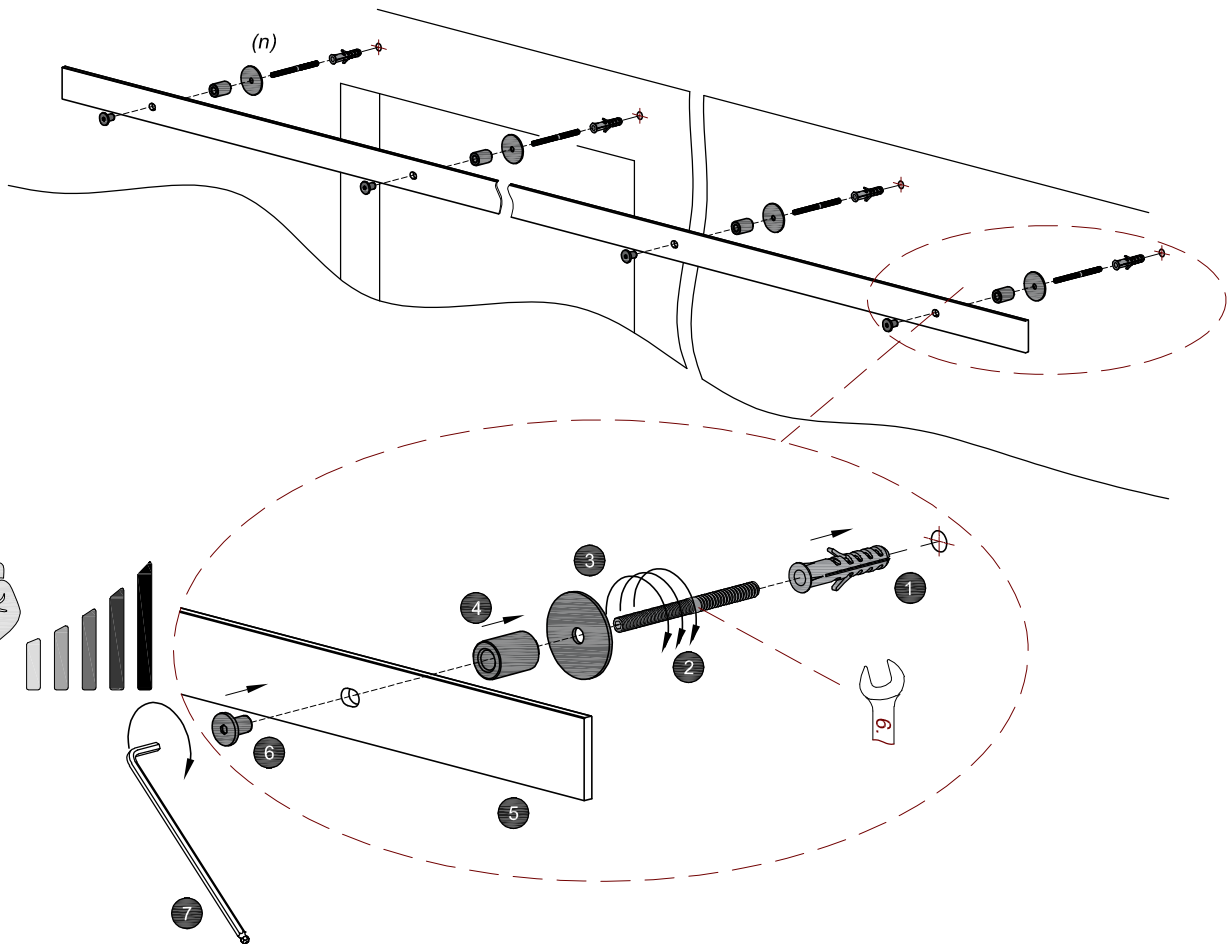
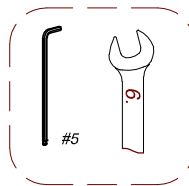
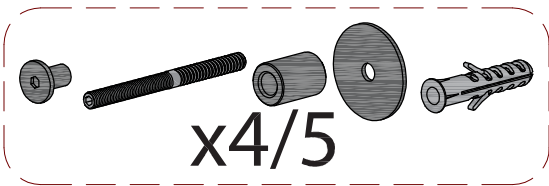
  $H_1 = H_0 + 81$   
 $H_1 = h + 61$



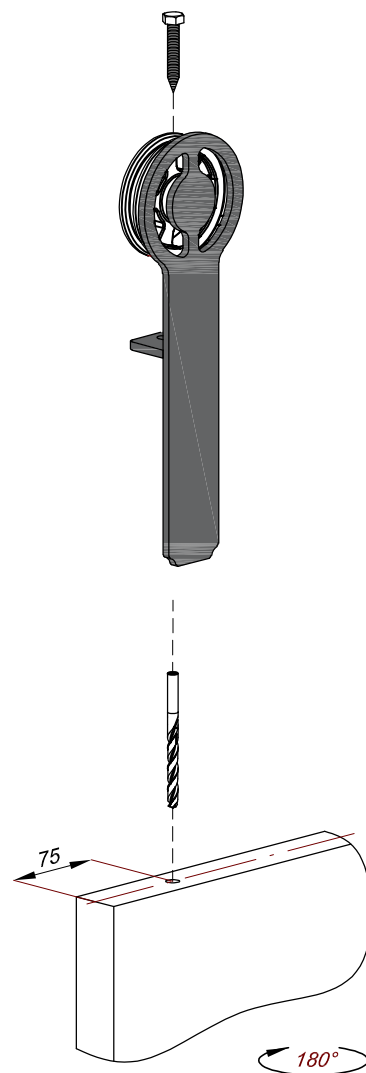
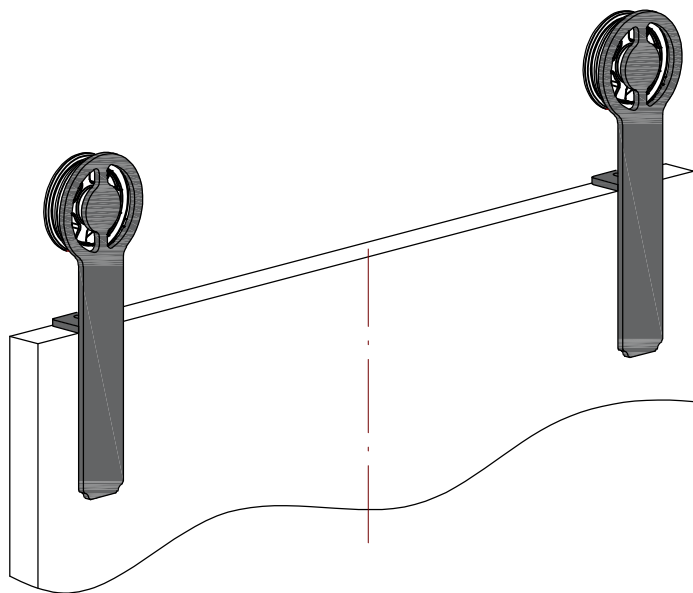
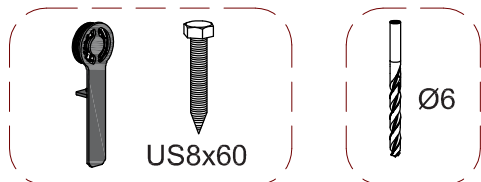
2



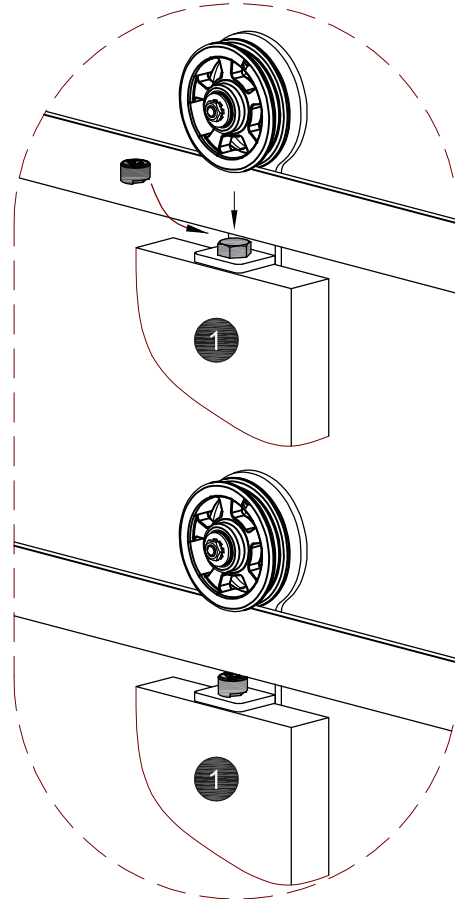
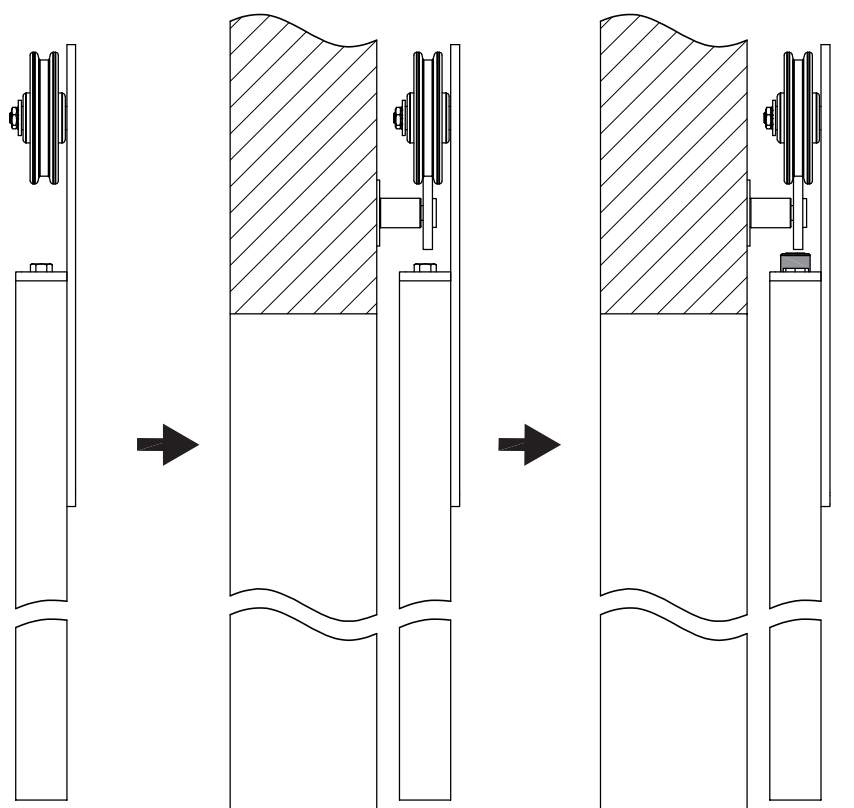
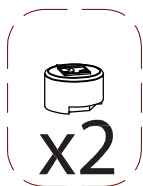
3



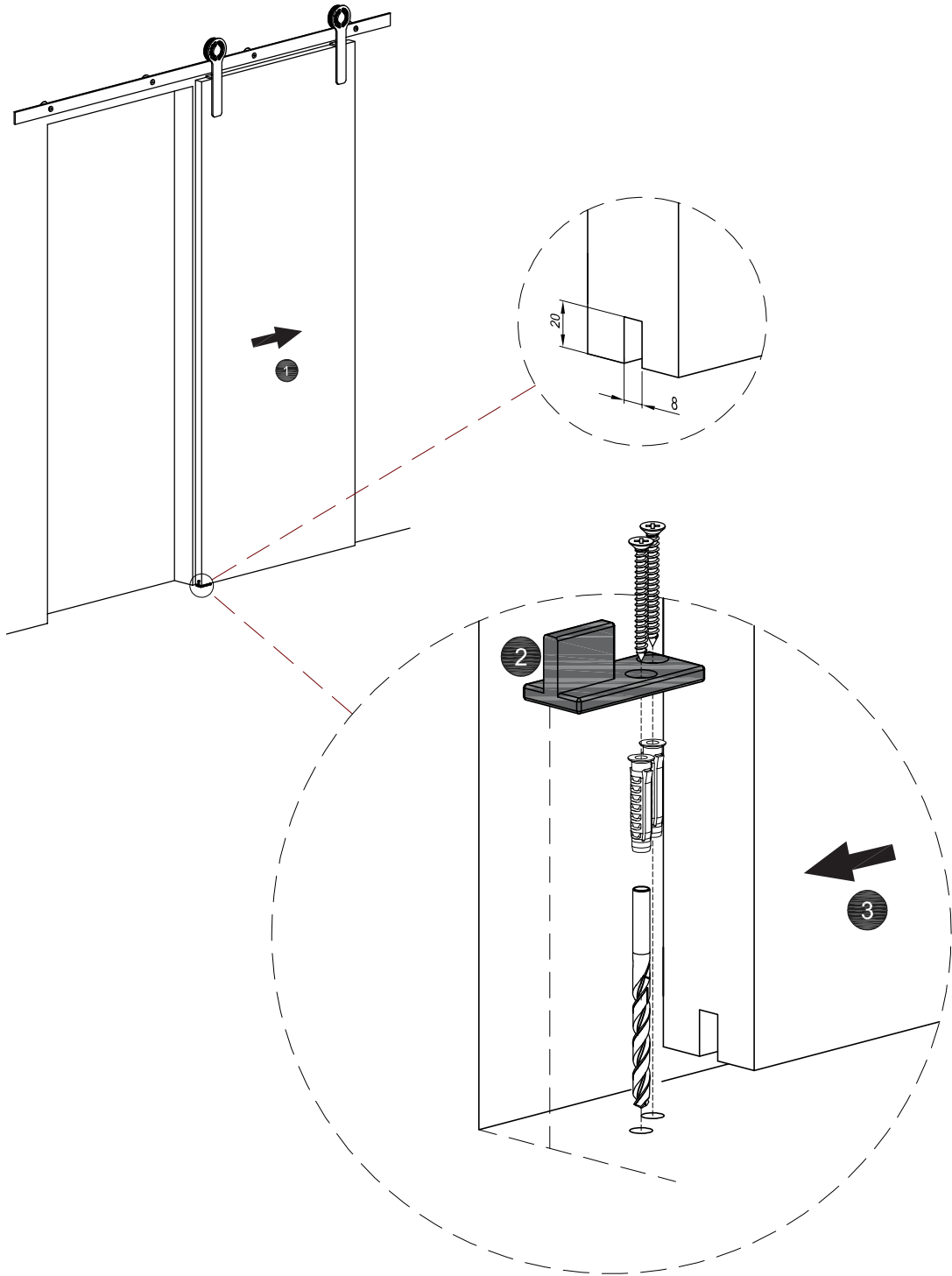
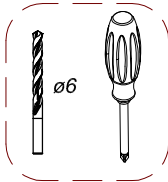
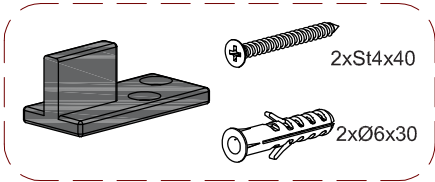
4



5

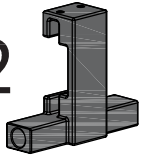


6

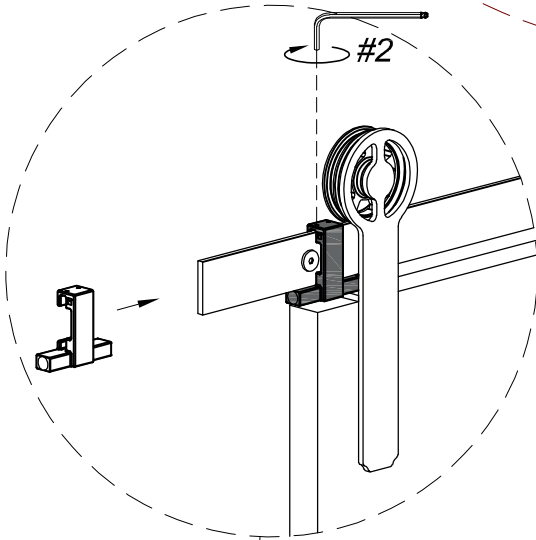
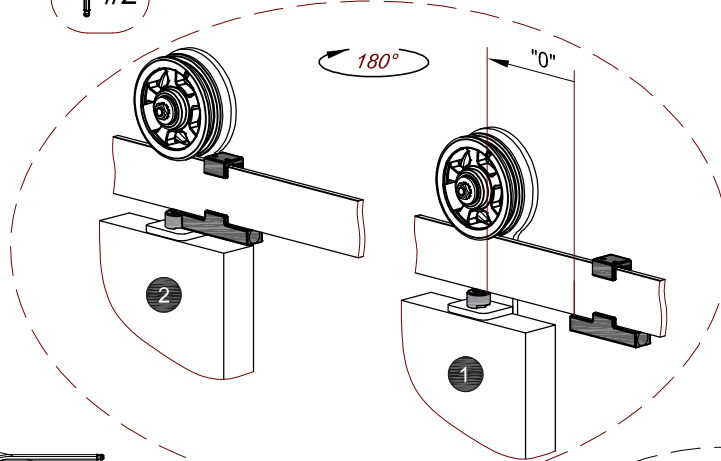
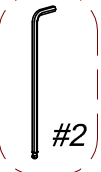


7

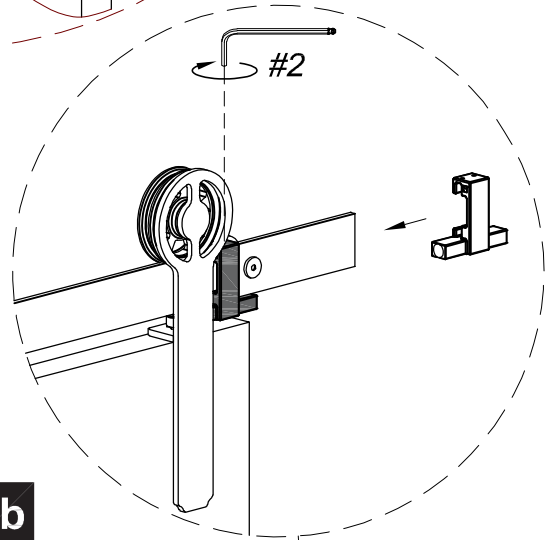
x2



#2



7a



7b

