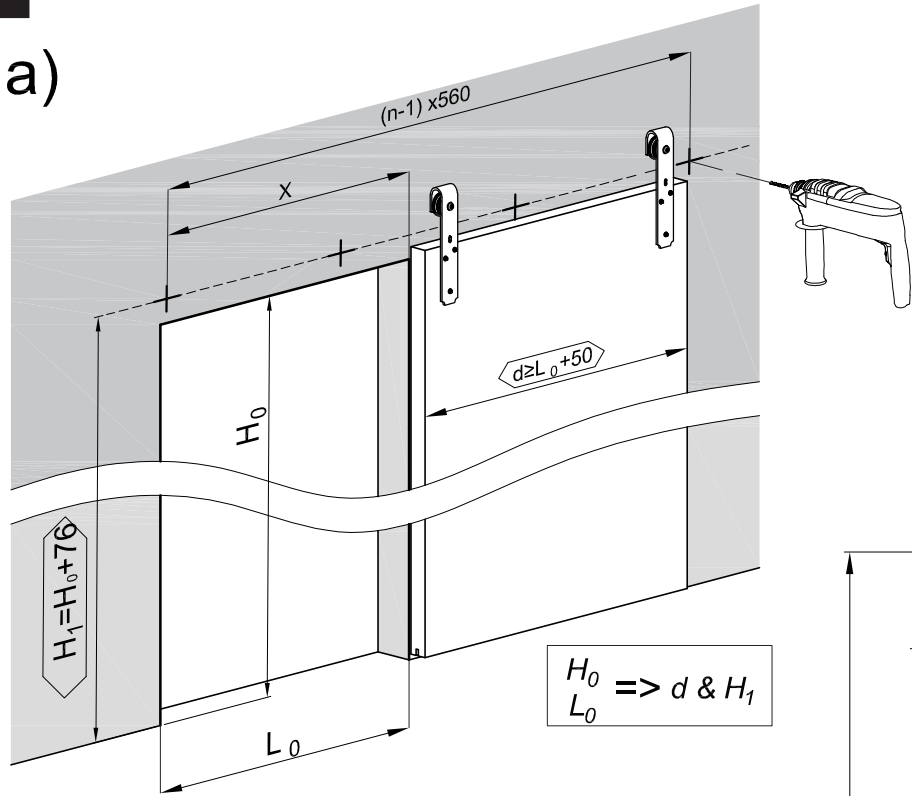
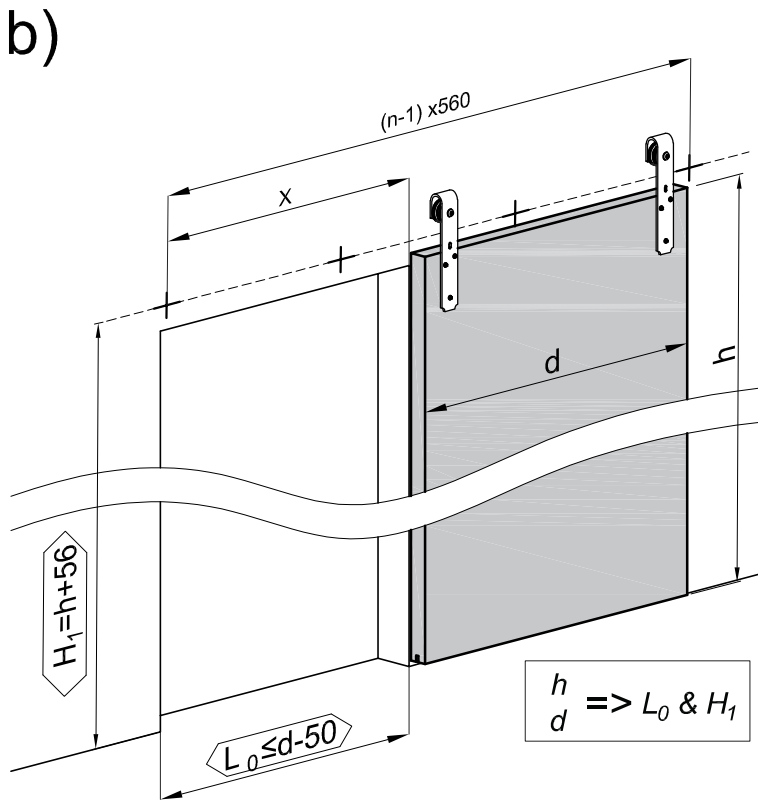
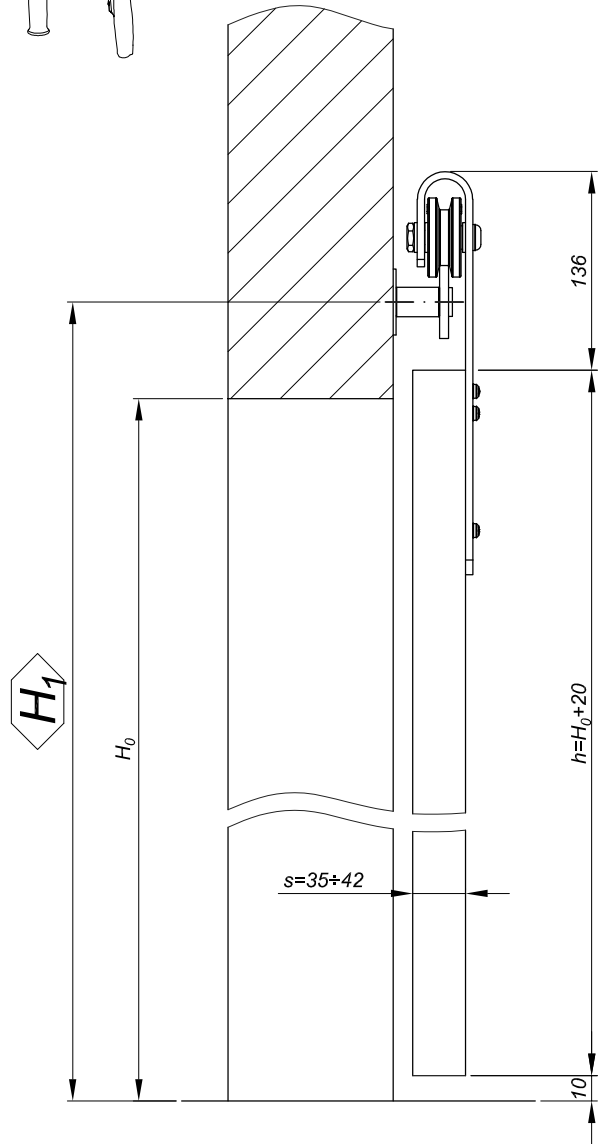


1



L_{Track} [mm]	1950	2400
X [mm]	840	1120
n	4	5

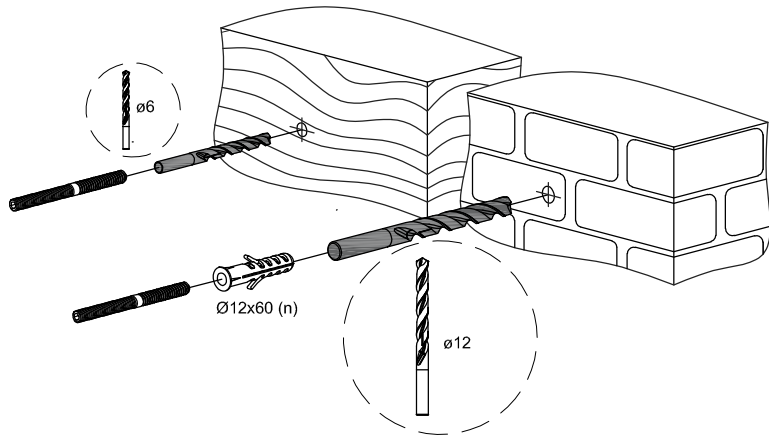
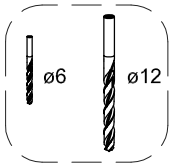


index

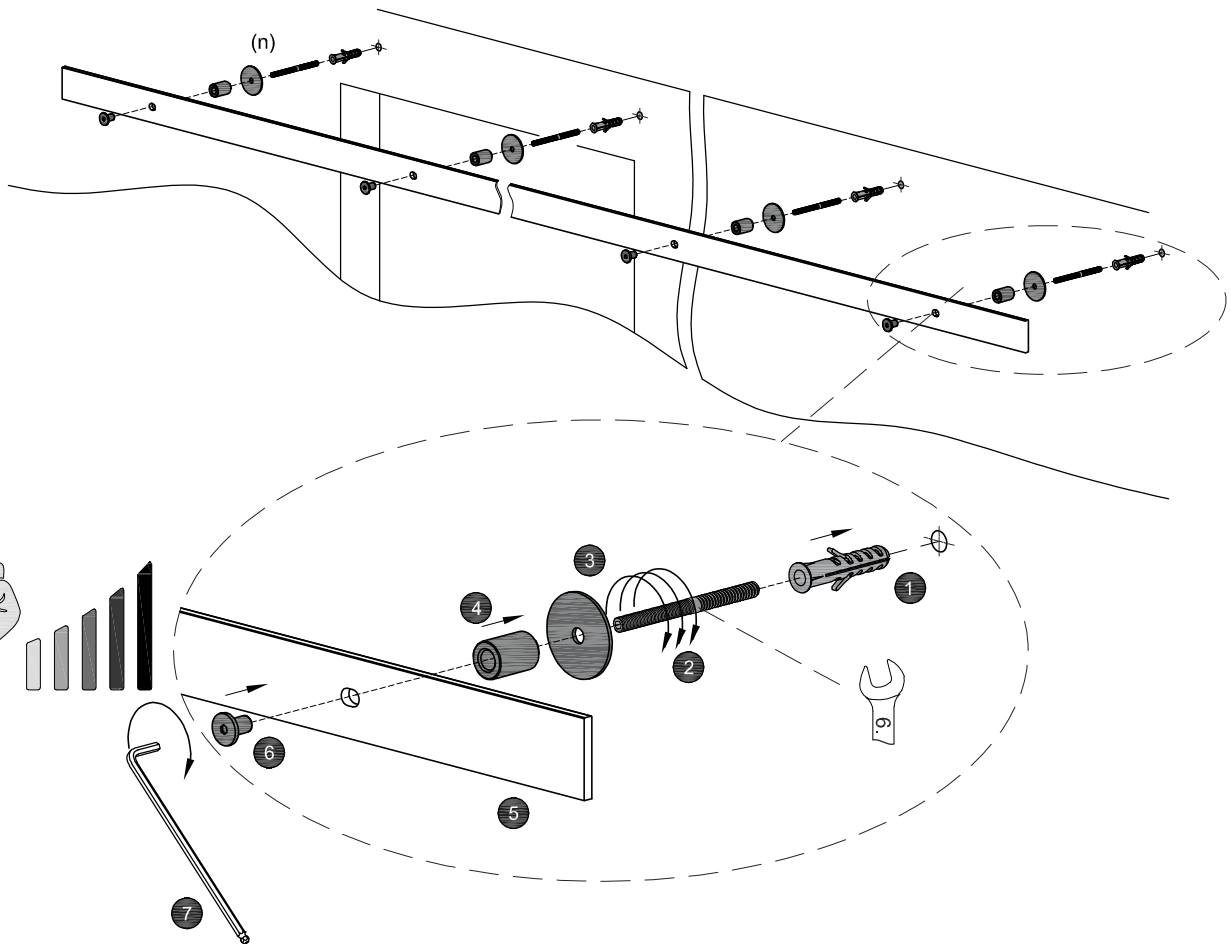
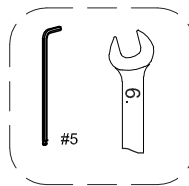
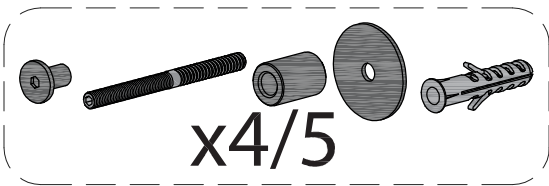
$H_1 = H_0 + 81$
 $H_1 = h + 61$



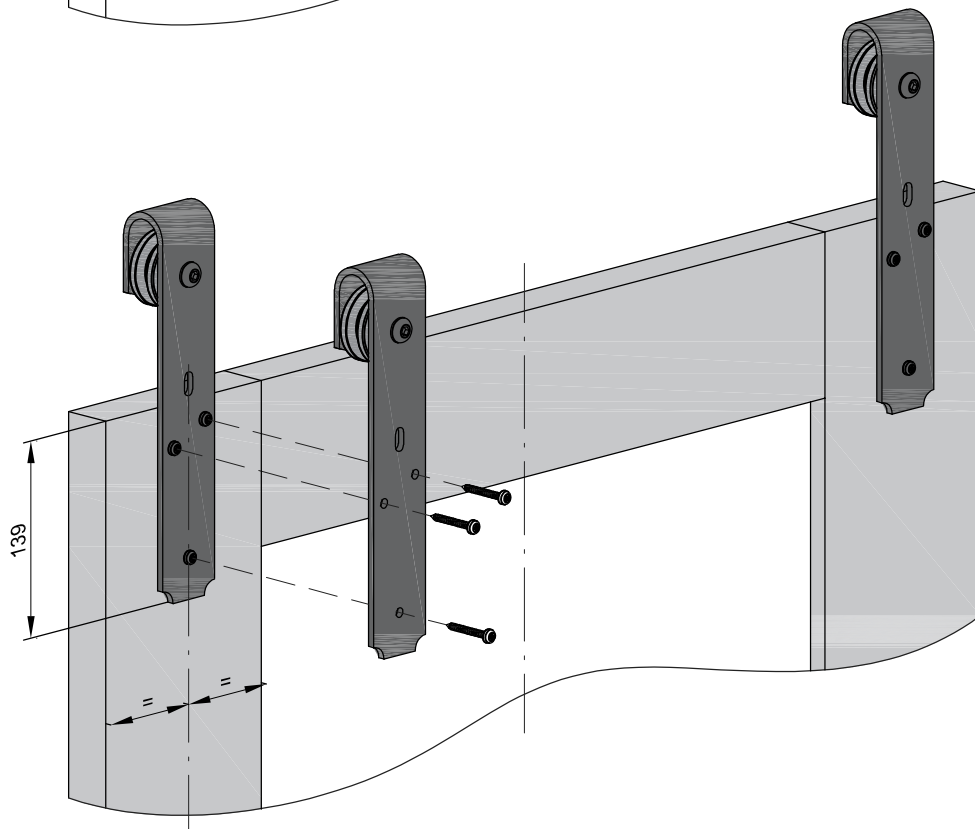
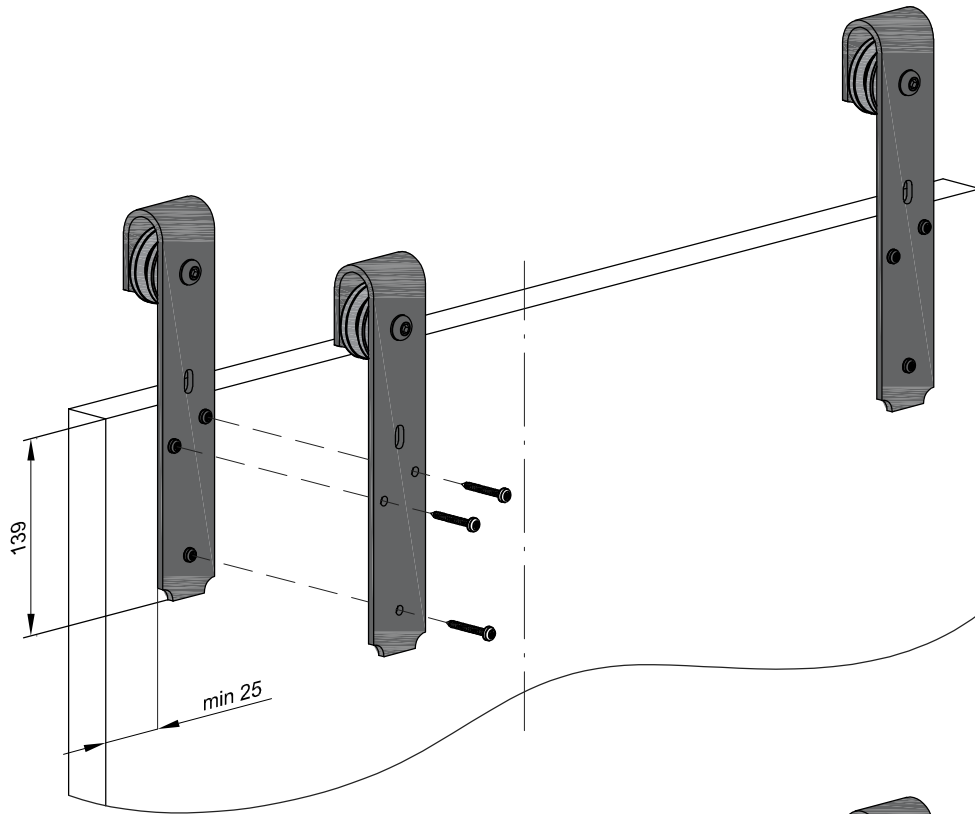
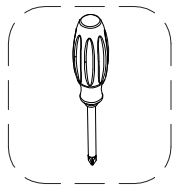
2



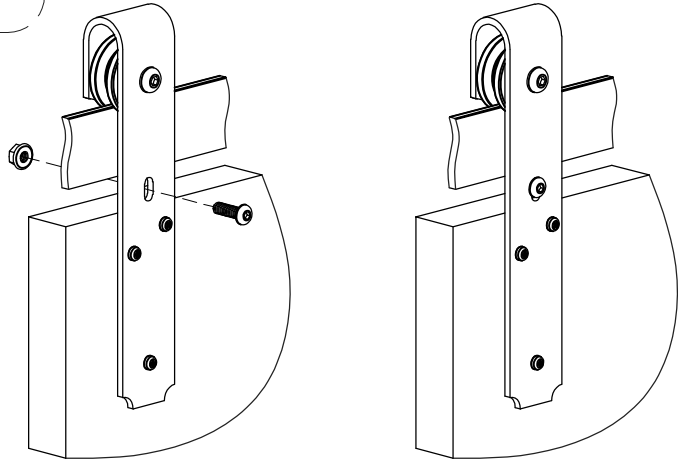
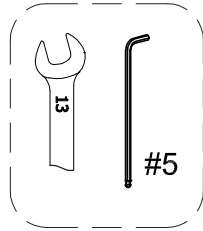
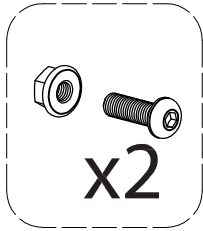
3



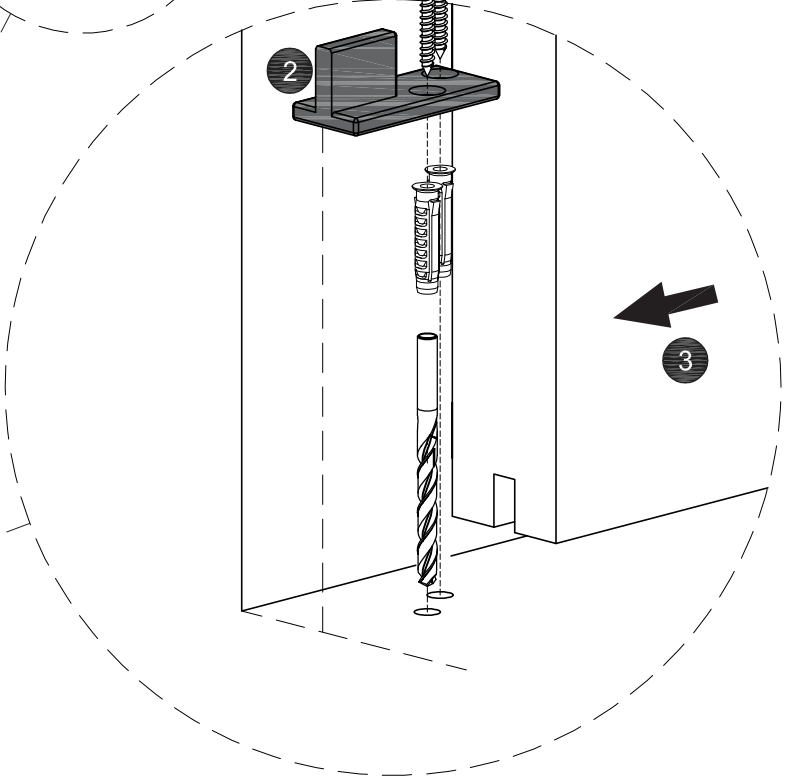
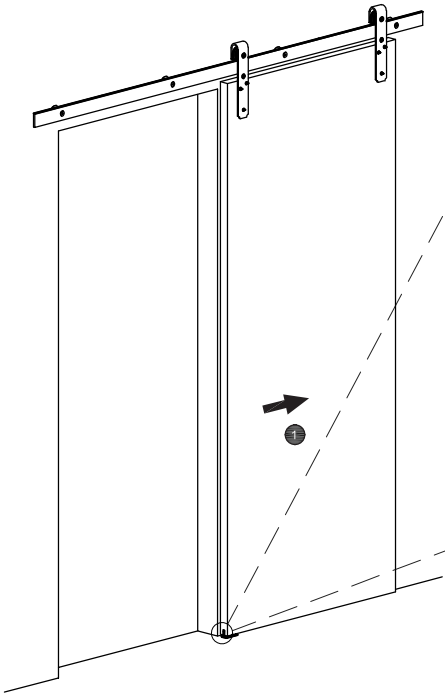
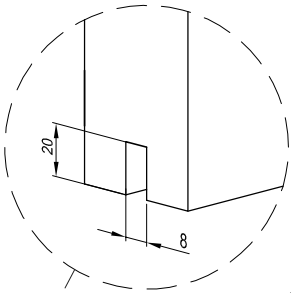
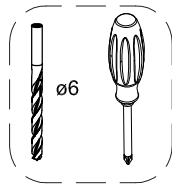
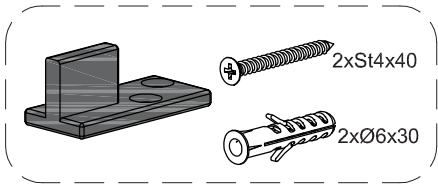
4



5



6



7

x2

