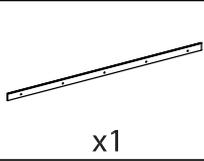




**MANTION POLSKA**

WWW.MANTION.PL

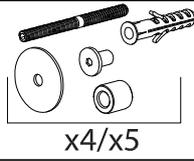
# Magni| ROC DESIGN index



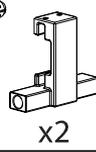
x1



x2



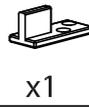
x4/x5



x2



x2



x1



St4x40

Ø6x30

x2



x6

M8

x12

Ø8

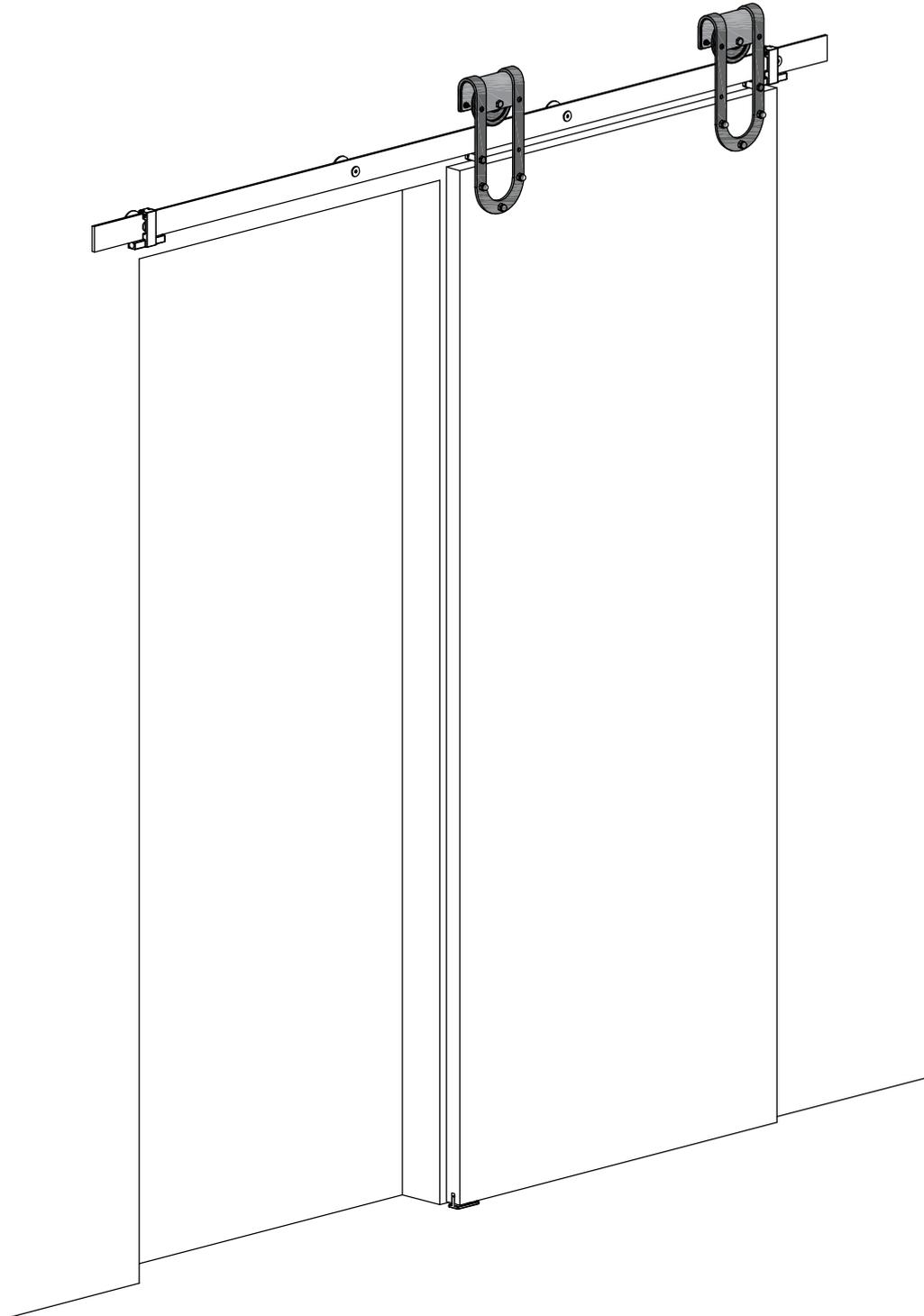


M8x55

x6

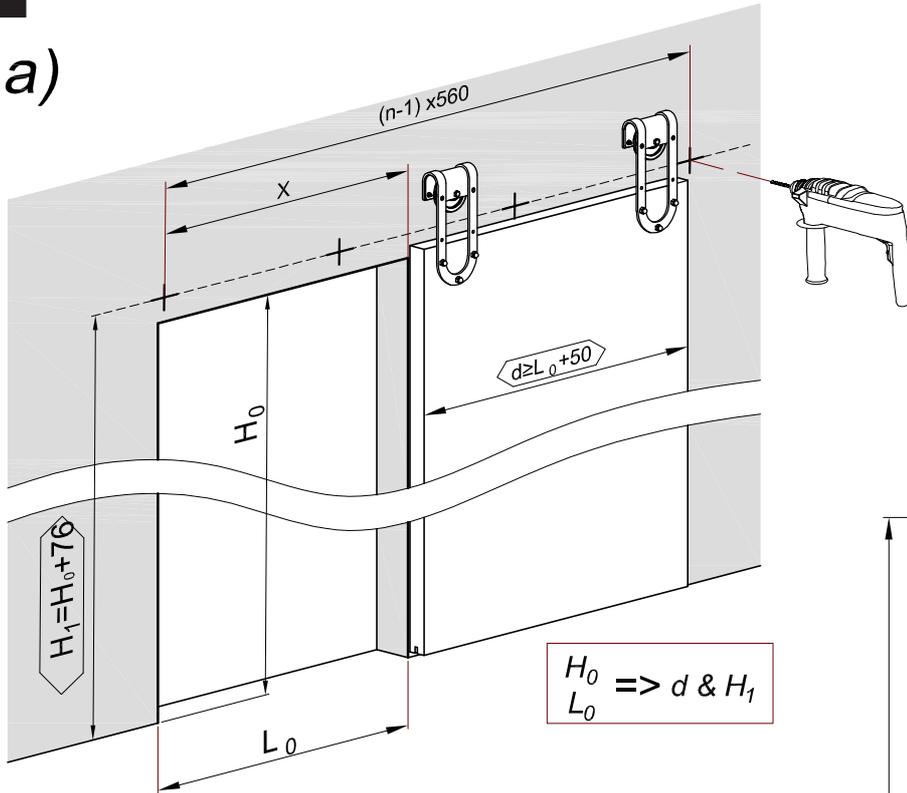


120  
KG



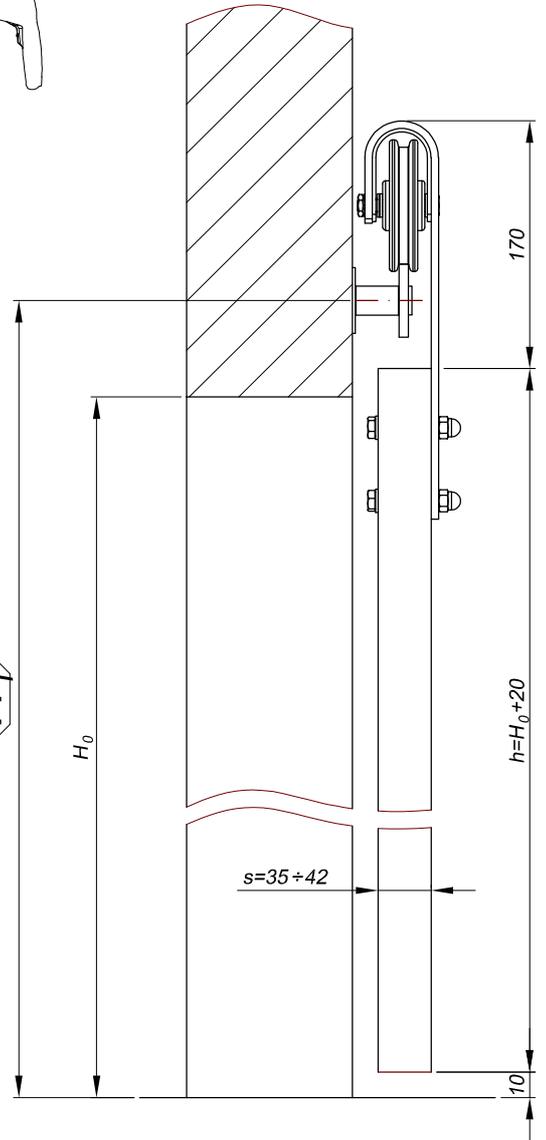
1

a)

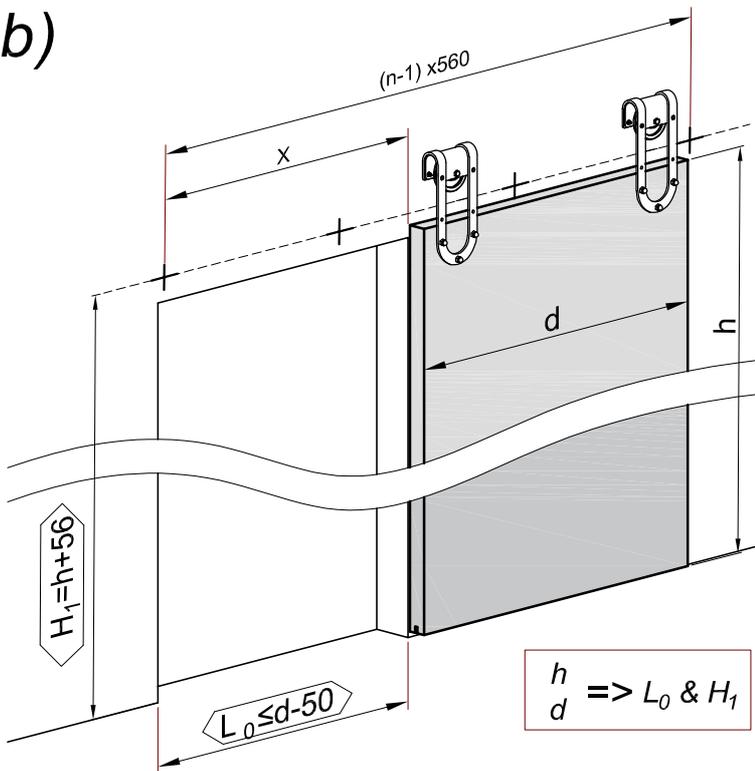


$H_0 \Rightarrow d \ \& \ H_1$

$L_{Track}$ [mm]	1950	2400
X [mm]	840	1120
n	4	5



b)



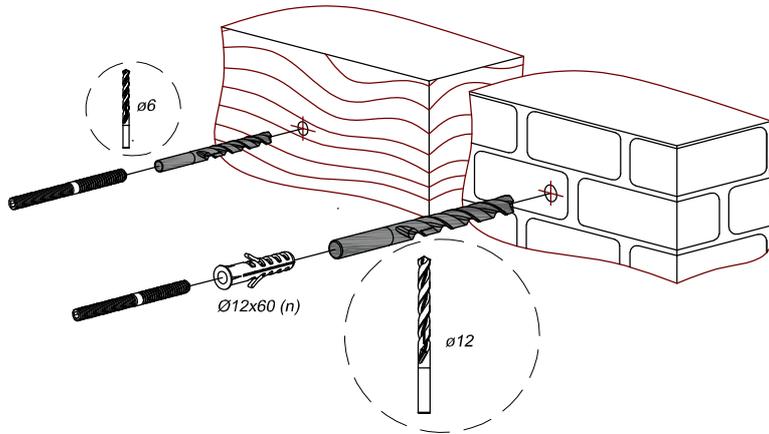
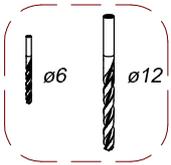
$h \Rightarrow L_0 \ \& \ H_1$

**index** 

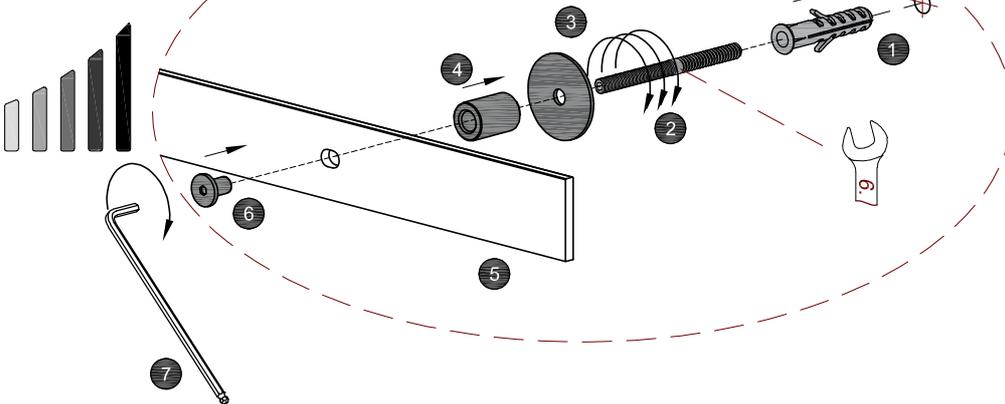
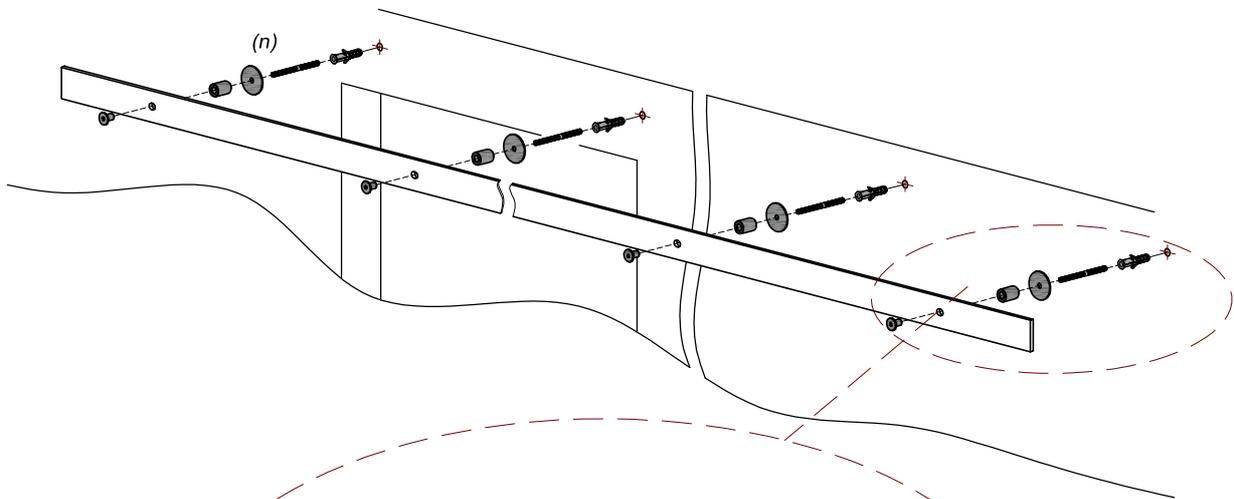
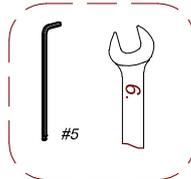
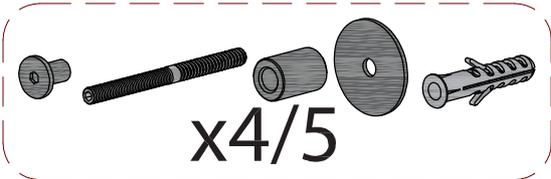
  $H_1 = H_0 + 81$   
 $H_1 = h + 61$



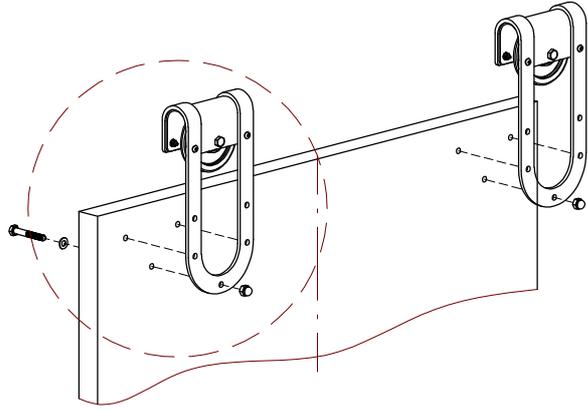
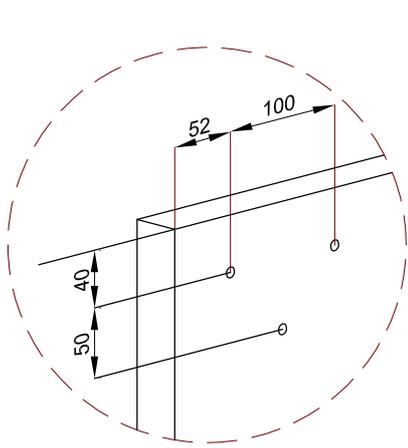
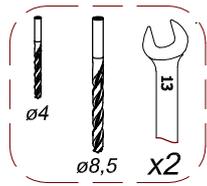
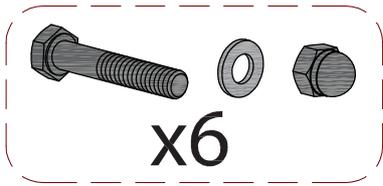
2



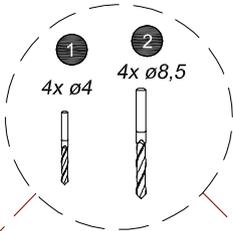
3



5

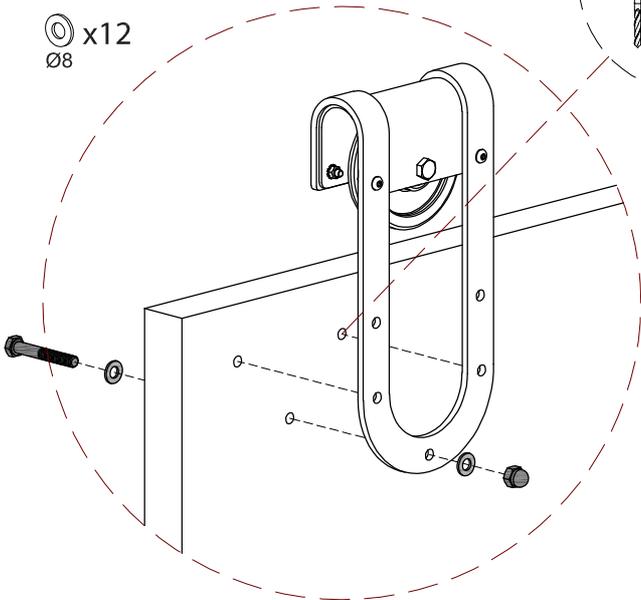


!  $35 < s < 38$

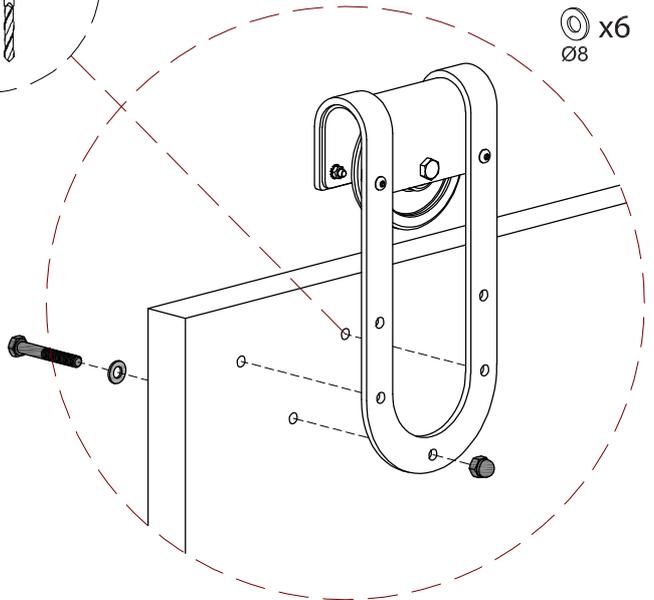


$38 \leq s < 42$

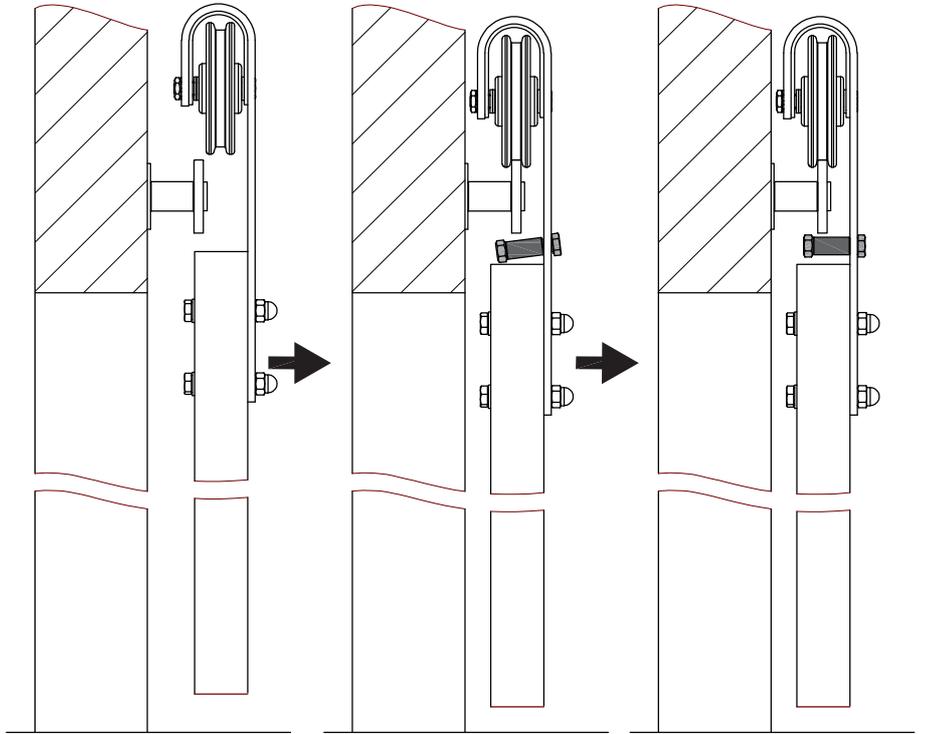
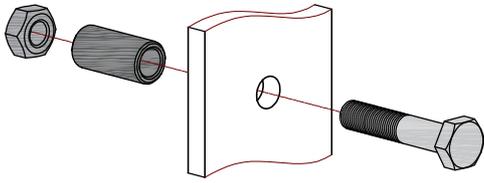
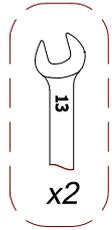
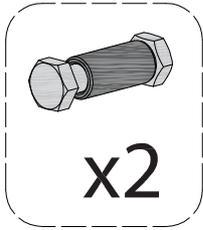
⊙ x12  
ø8



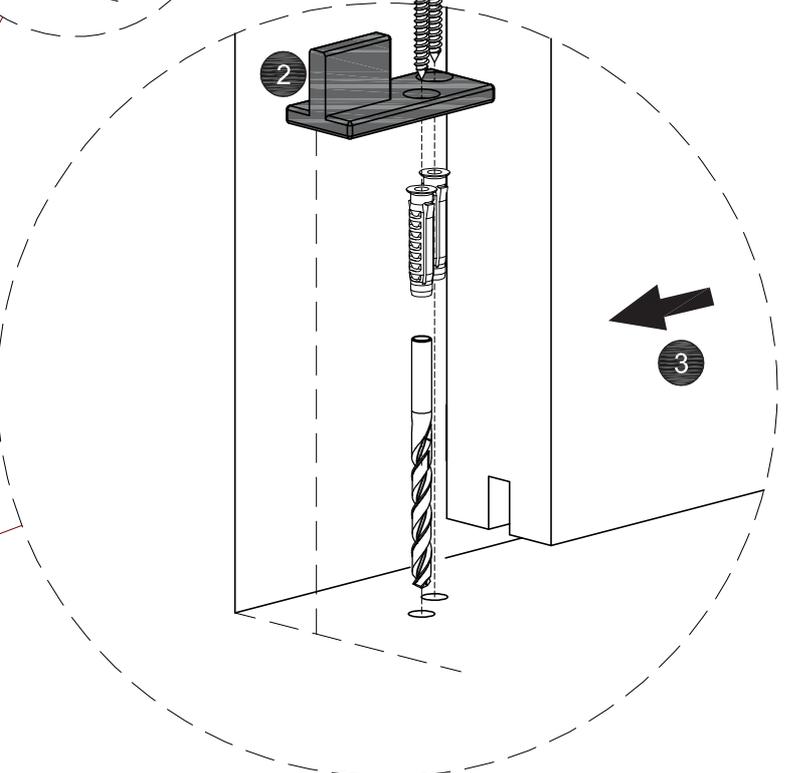
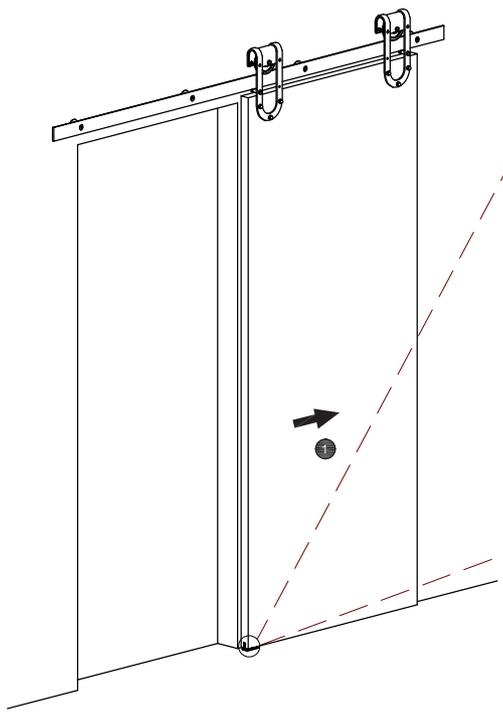
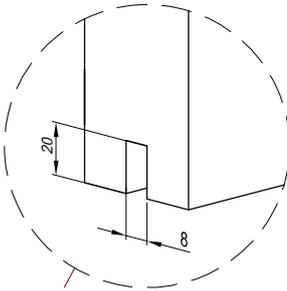
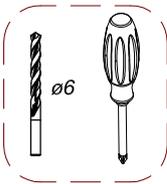
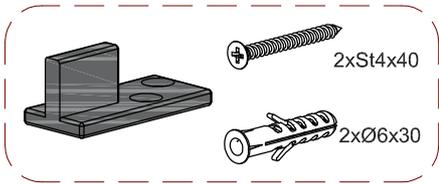
⊙ x6  
ø8



5



6



7

x2



#2

