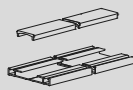
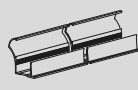


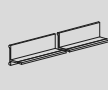
x1



x1



x6



x3



x3



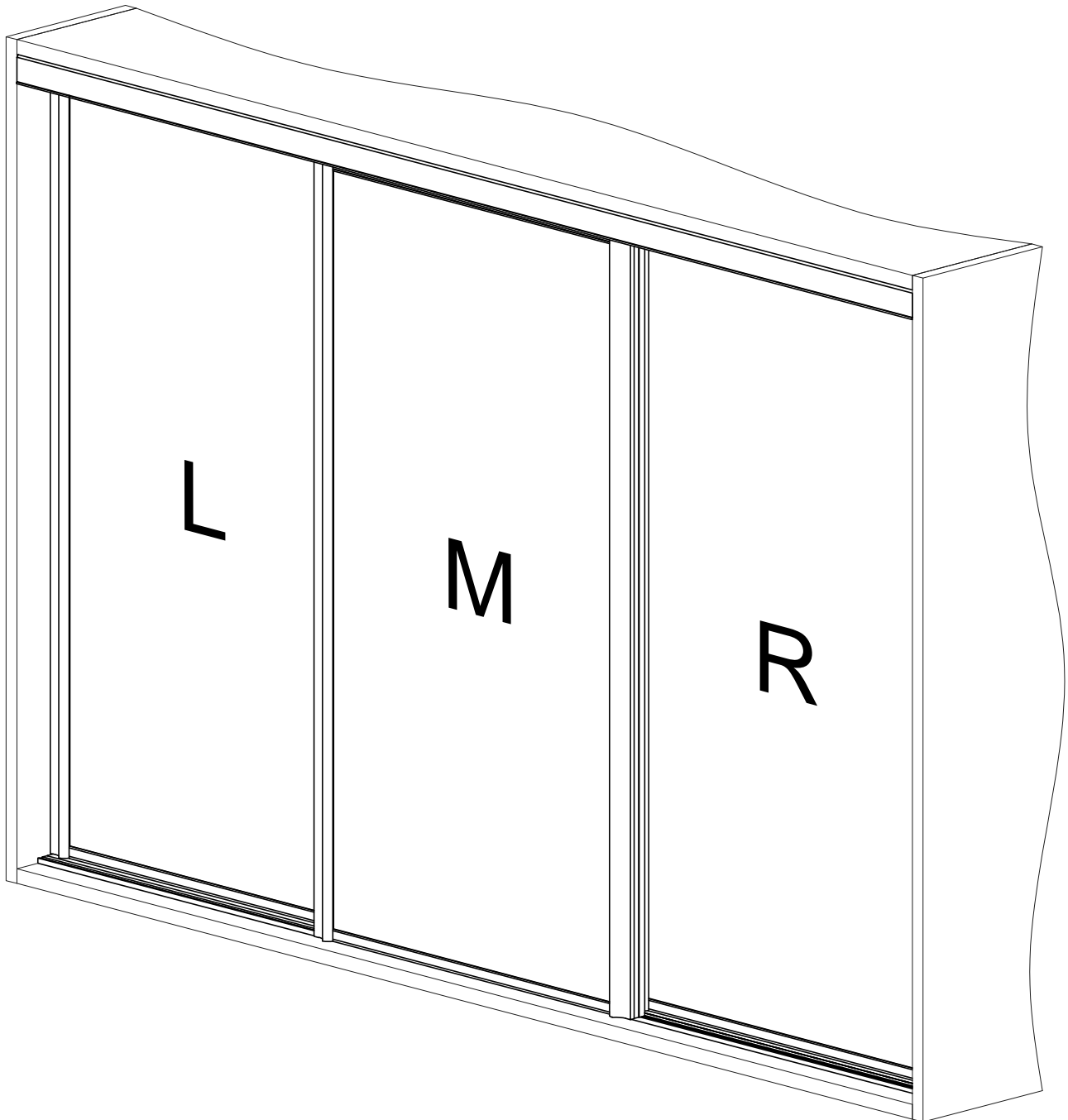
x6



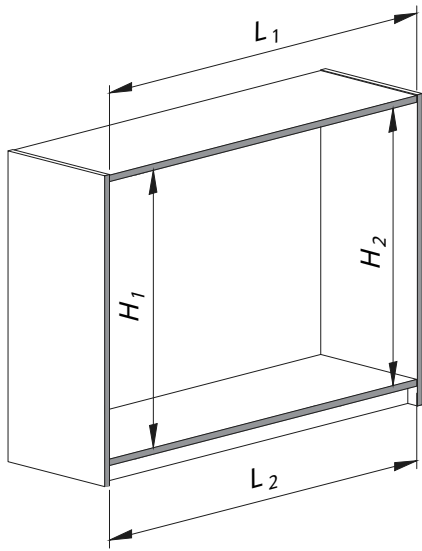
x6



x1

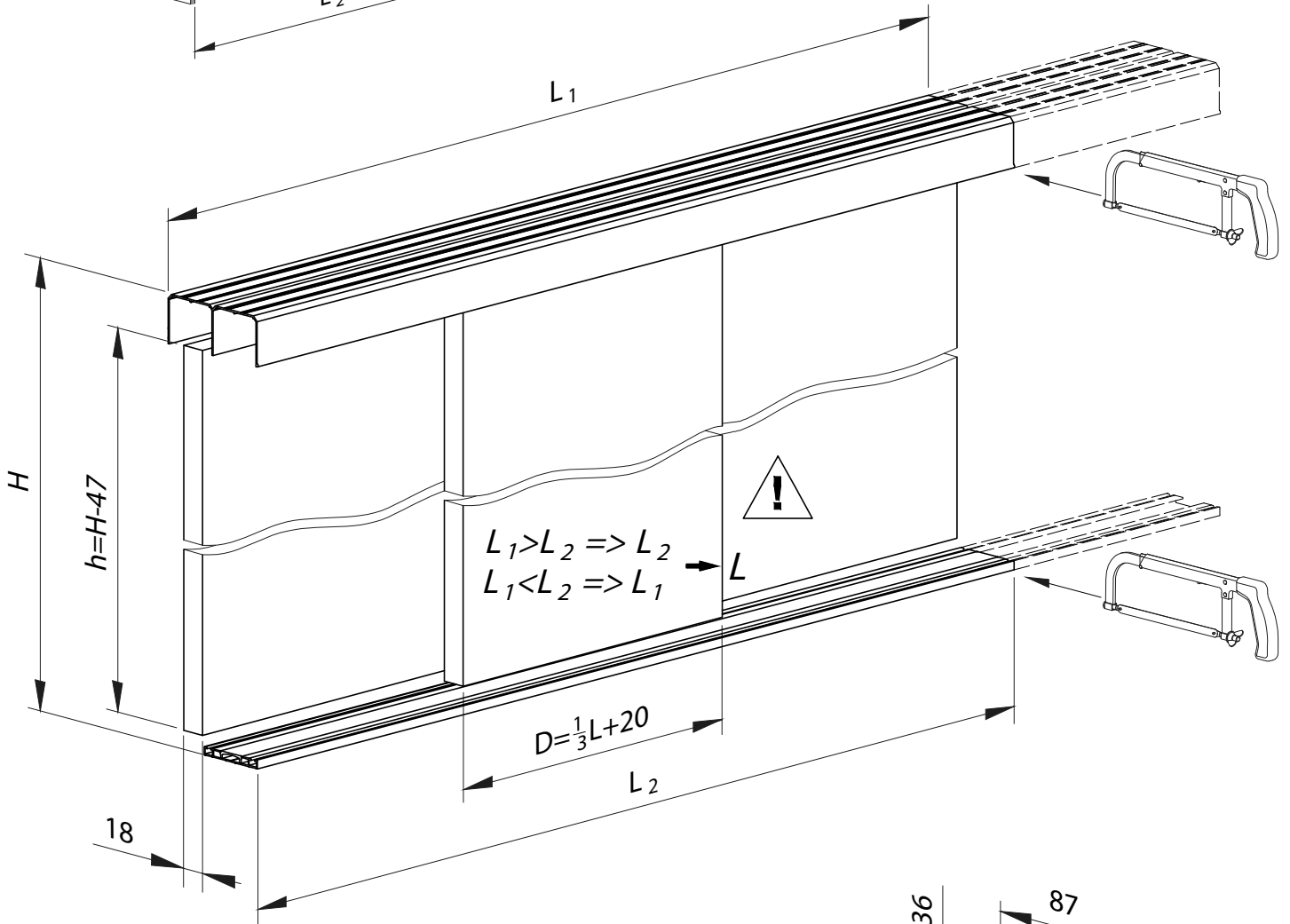


1



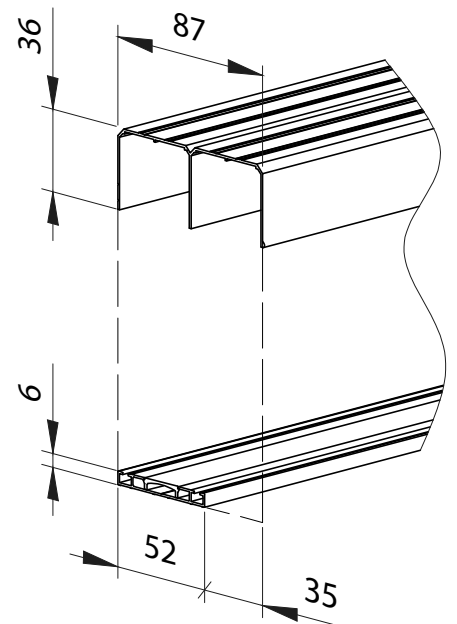
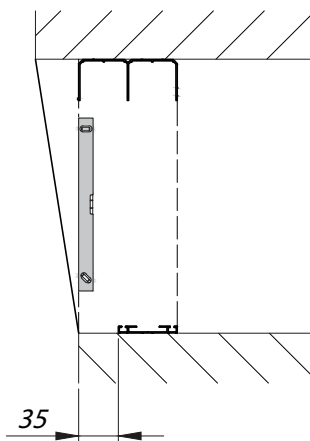
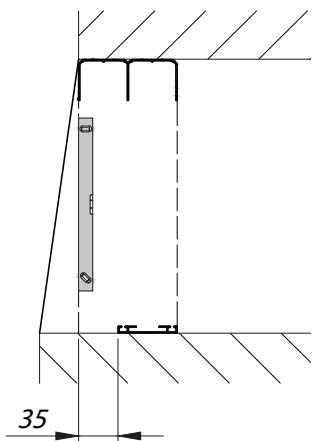
$$H_1 > H_2 \Rightarrow H_2 \rightarrow H$$

$$H_1 < H_2 \Rightarrow H_1 \rightarrow H$$

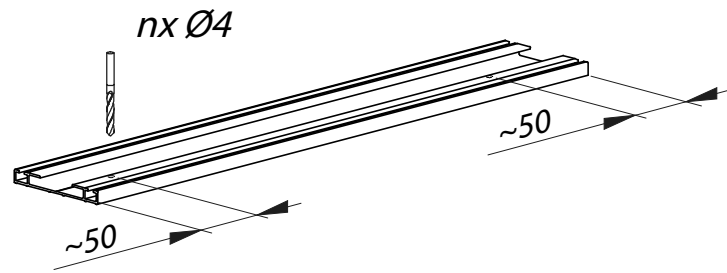
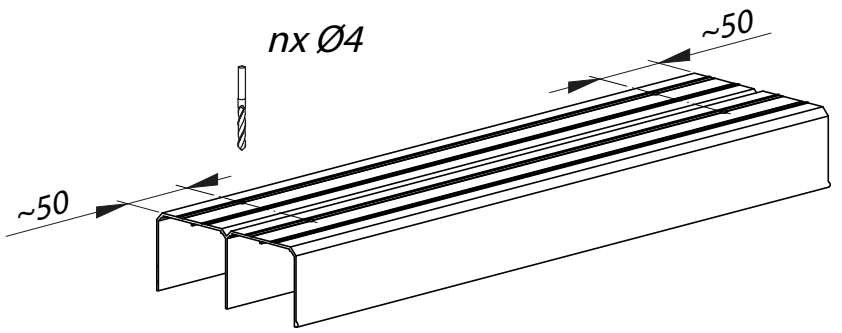
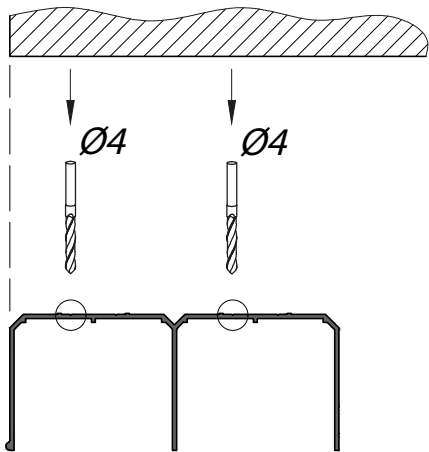
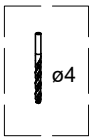


$$L_1 > L_2 \Rightarrow L_2 \rightarrow L$$

$$L_1 < L_2 \Rightarrow L_1 \rightarrow L$$

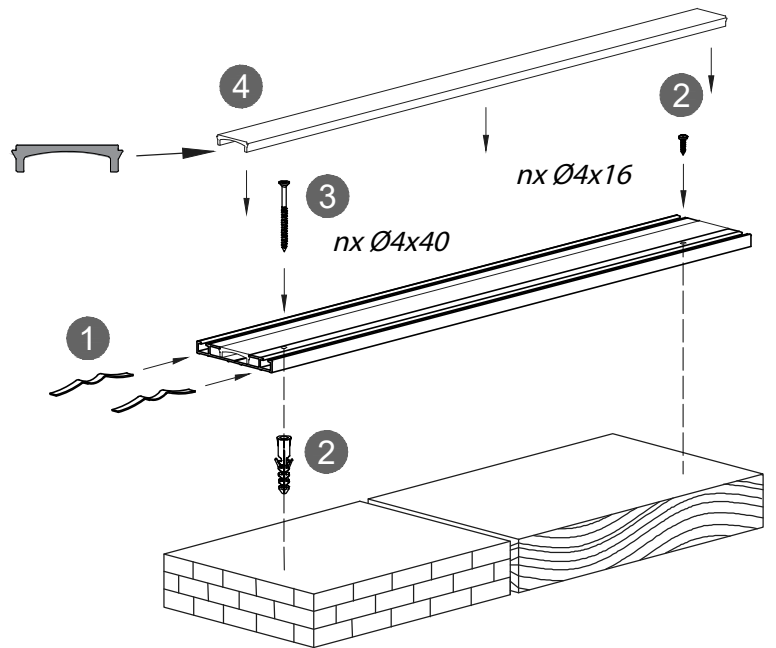
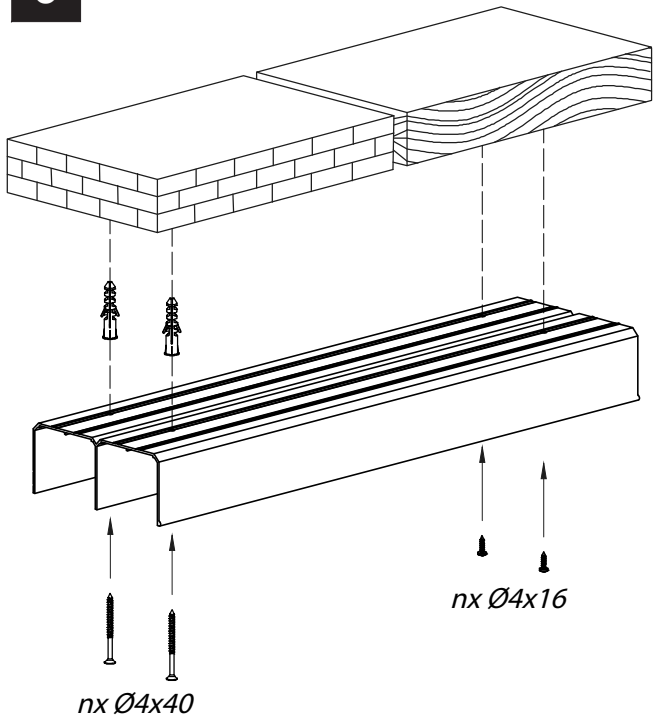


2

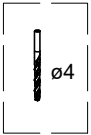


L[mm]	1200	1500	1800	2000
n[pcs]	3	3	4	4

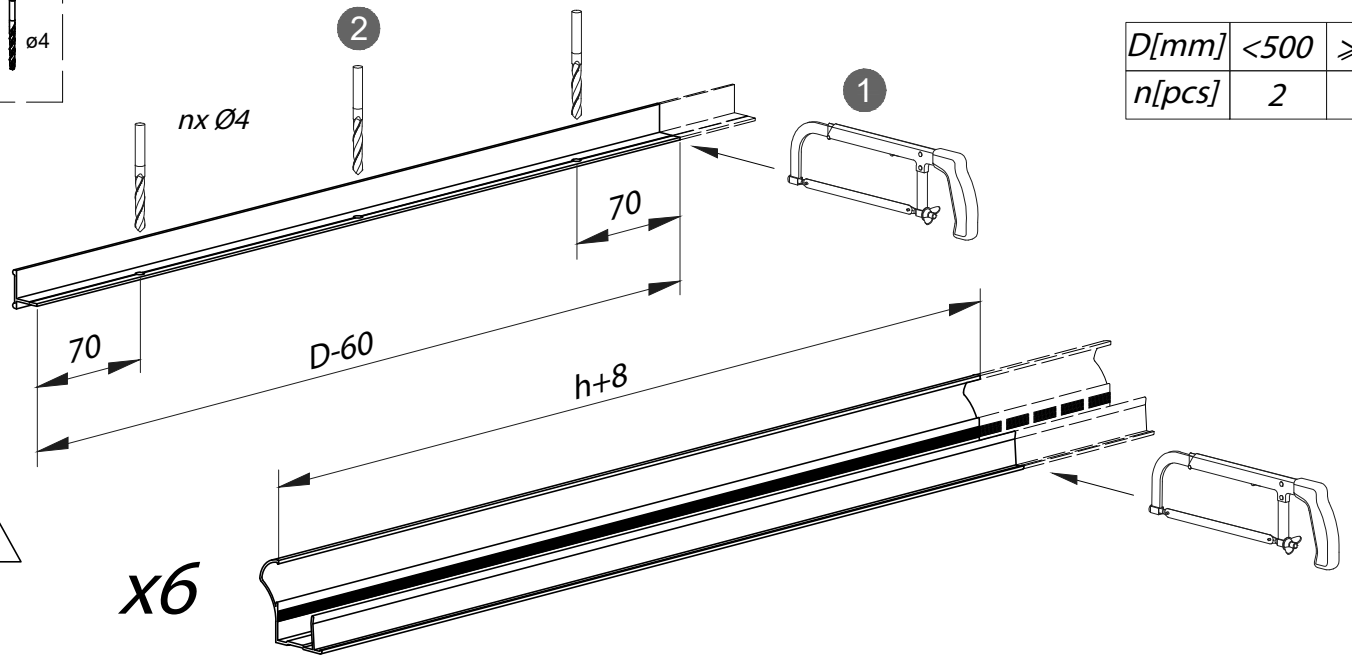
3



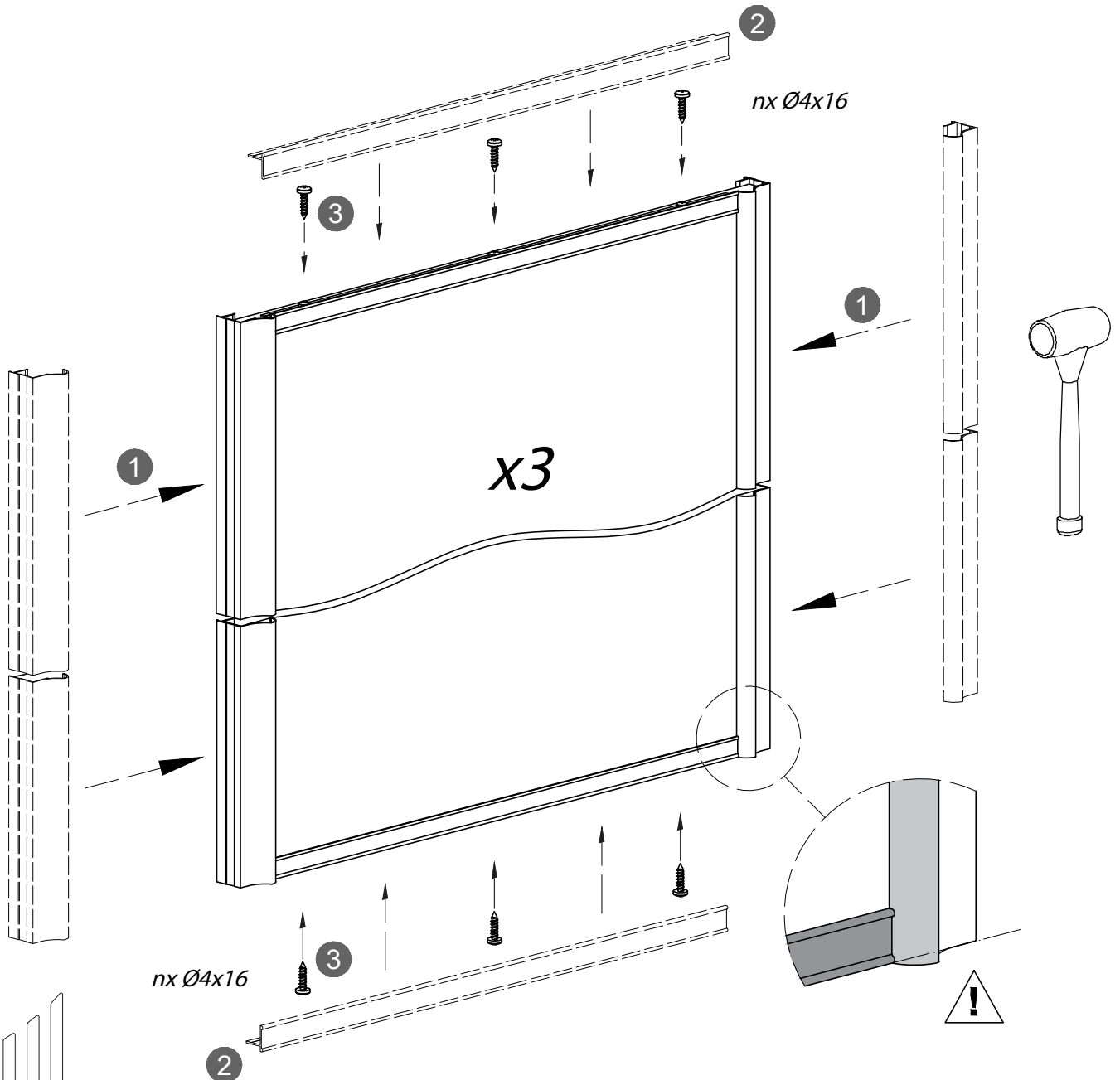
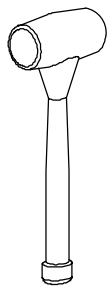
4



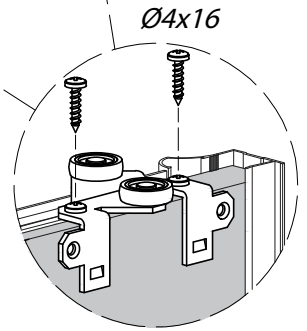
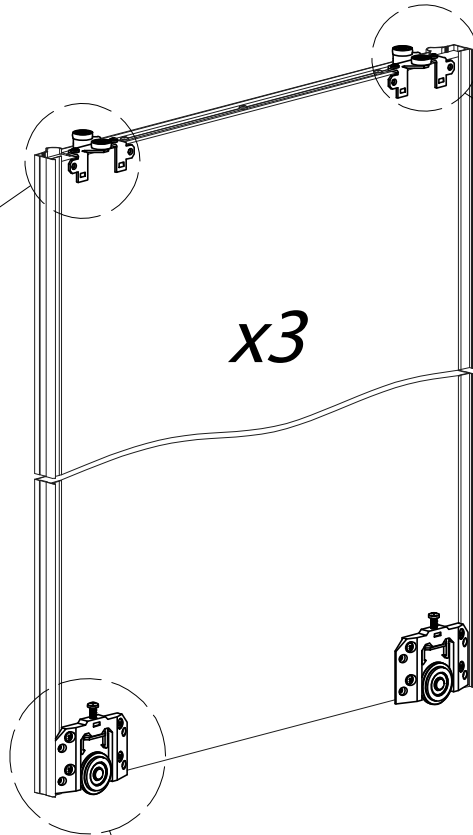
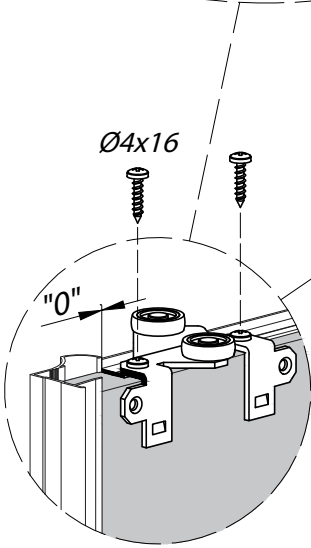
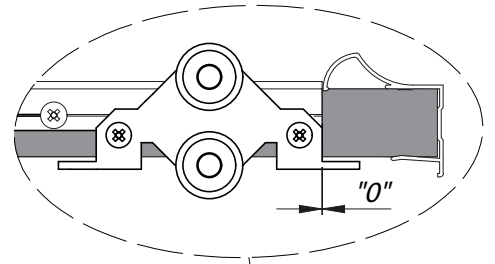
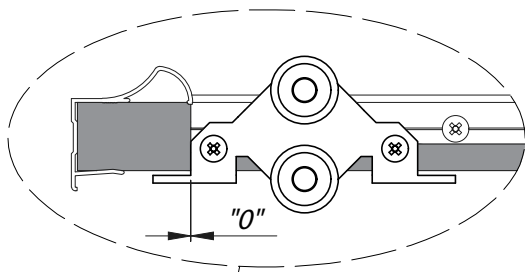
x6



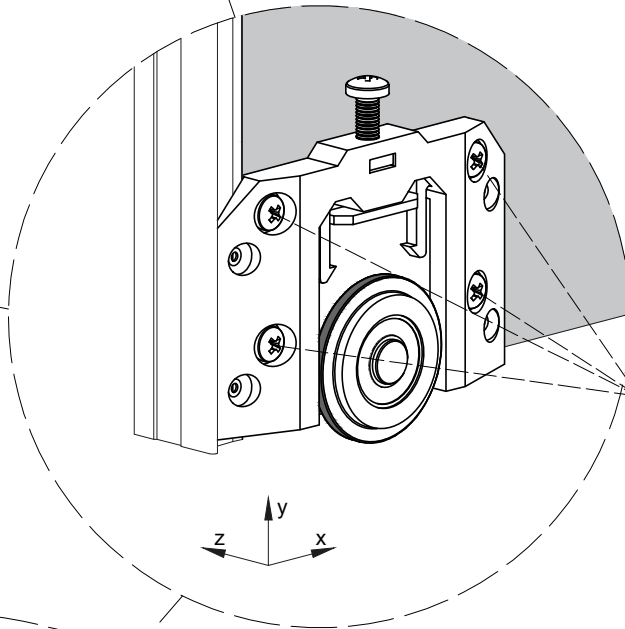
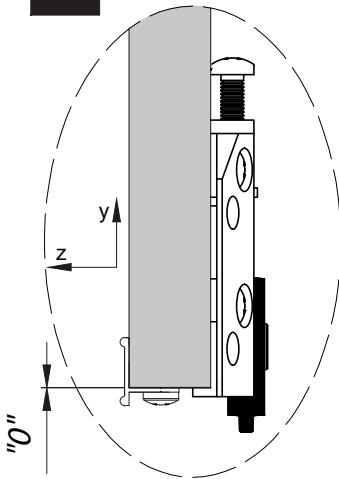
5



6



7



$\text{Ø}4 \times 16$

