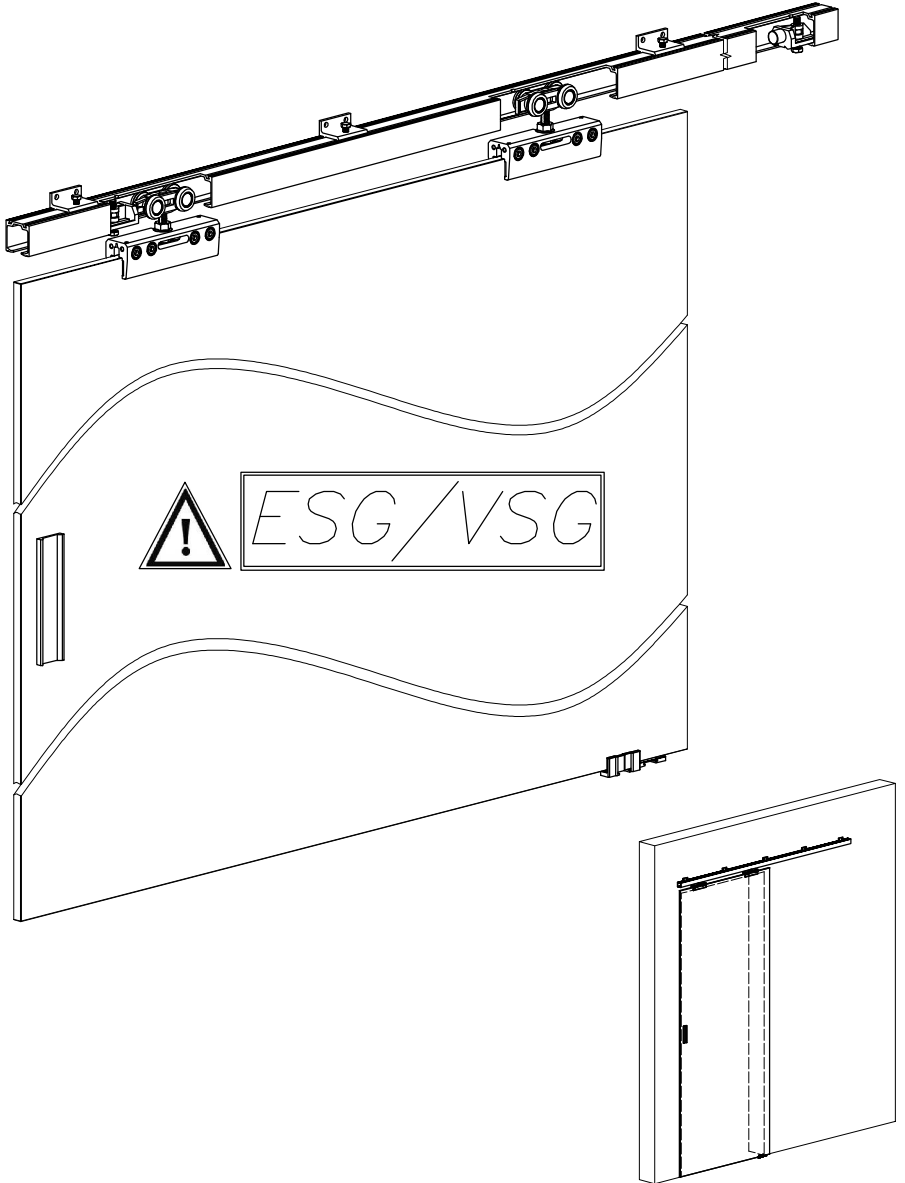


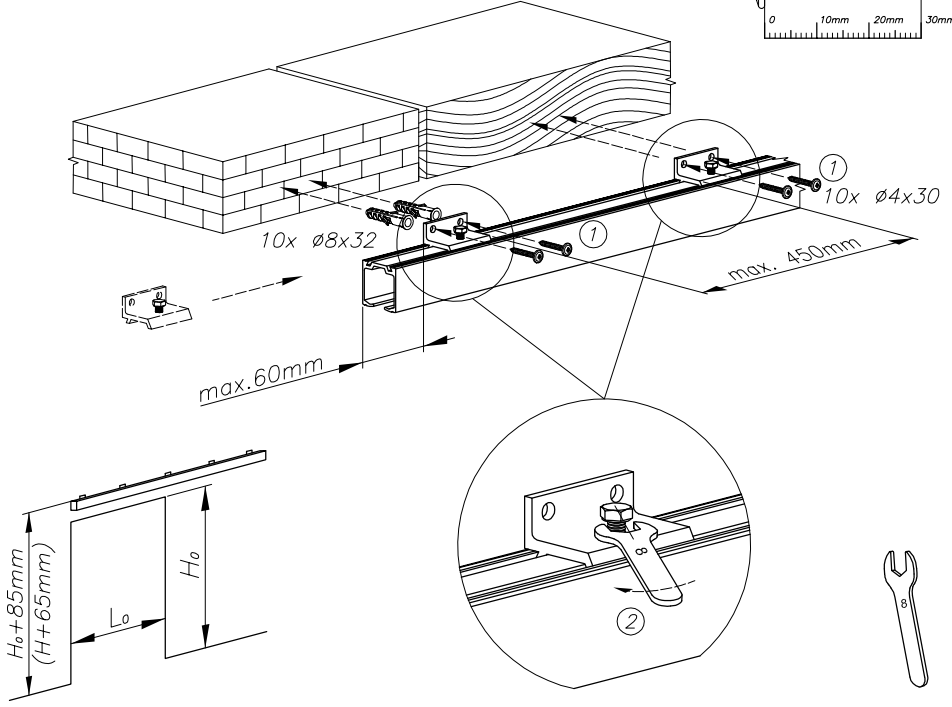
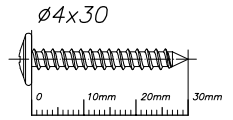


[www.valcomp.pl](http://www.valcomp.pl)

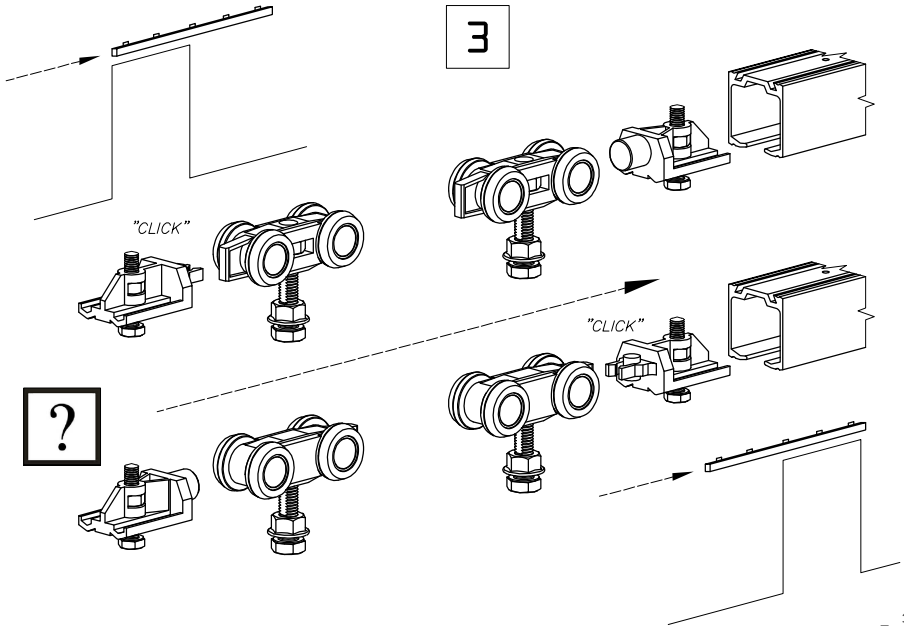
# HERKULES GLASS

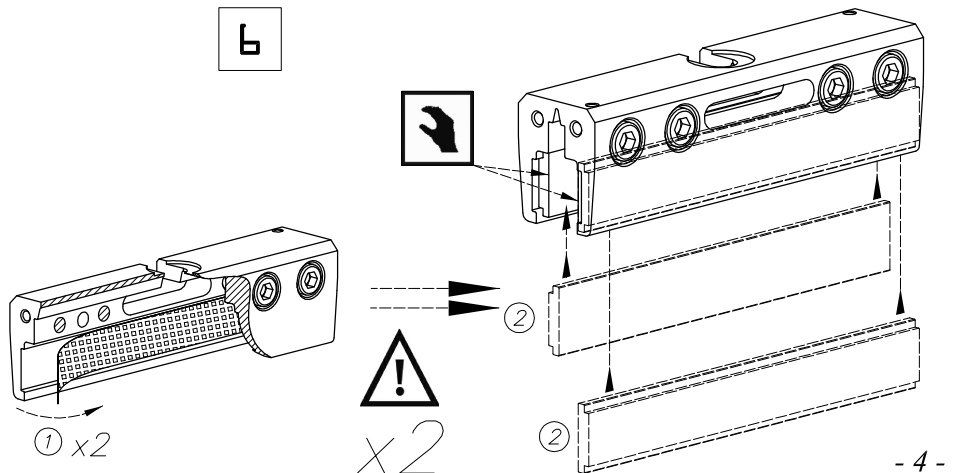
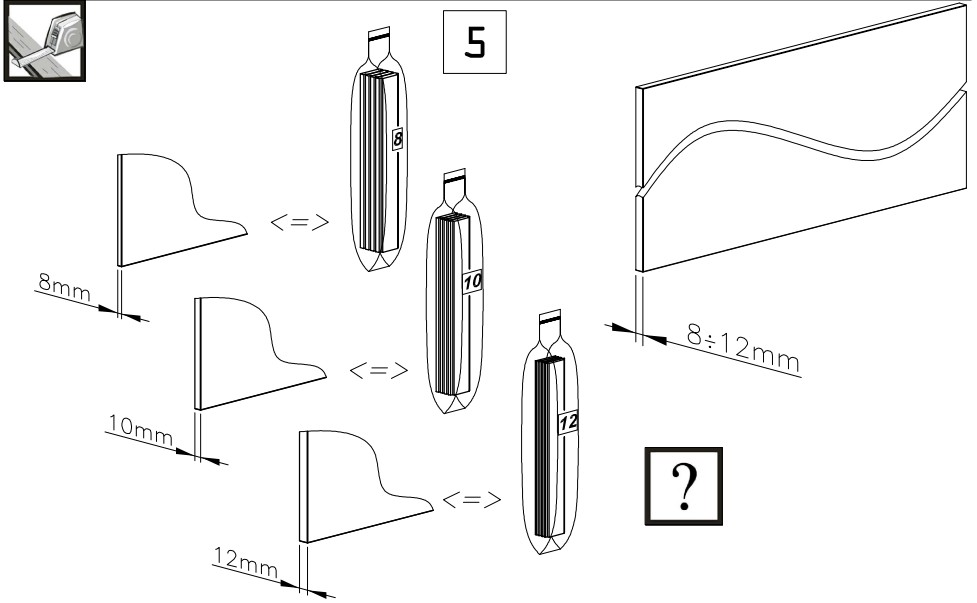
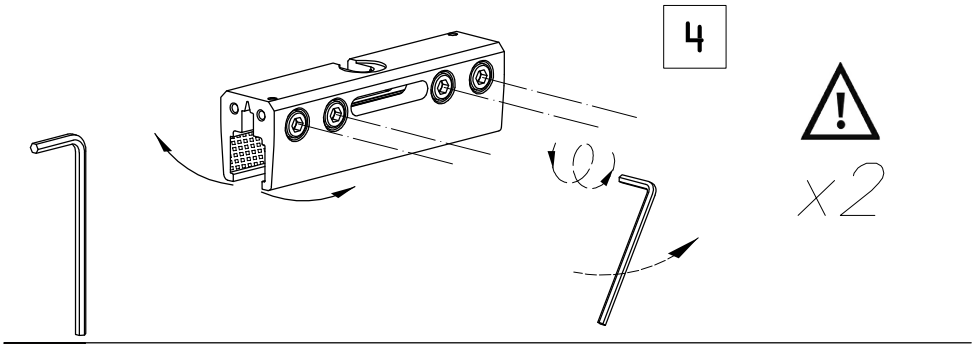


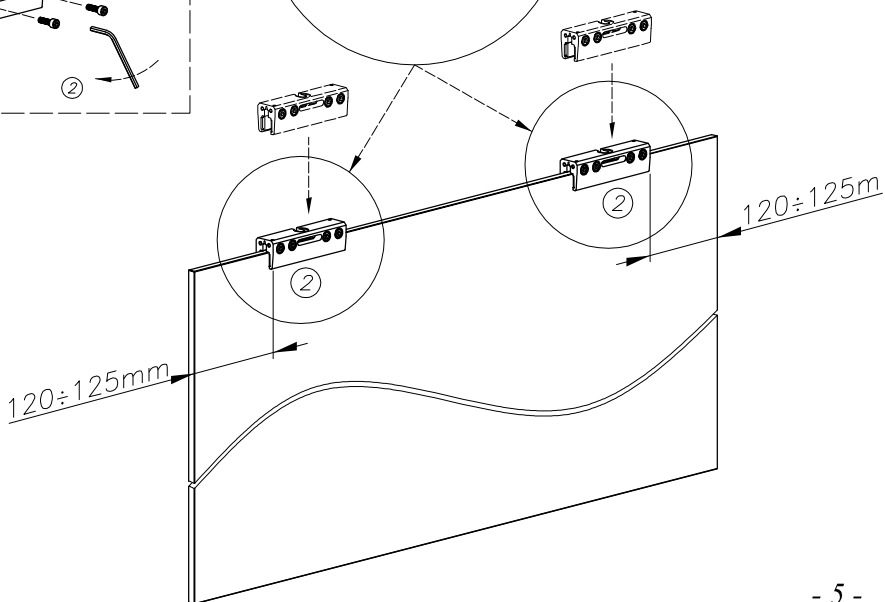
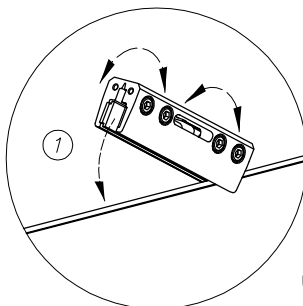
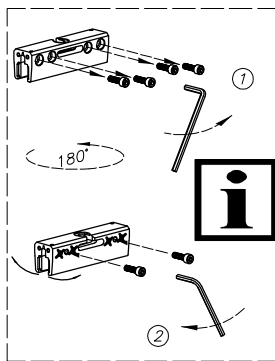
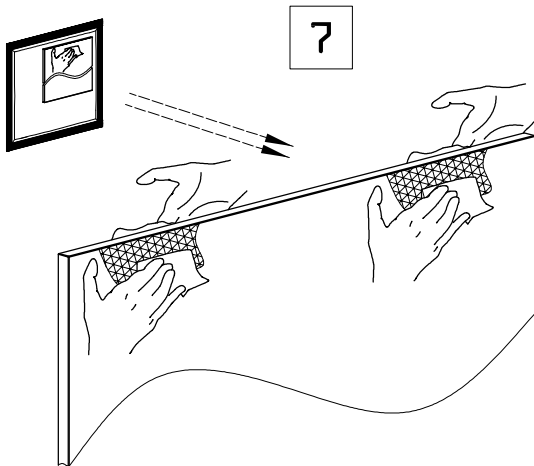




3





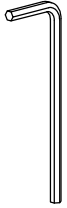




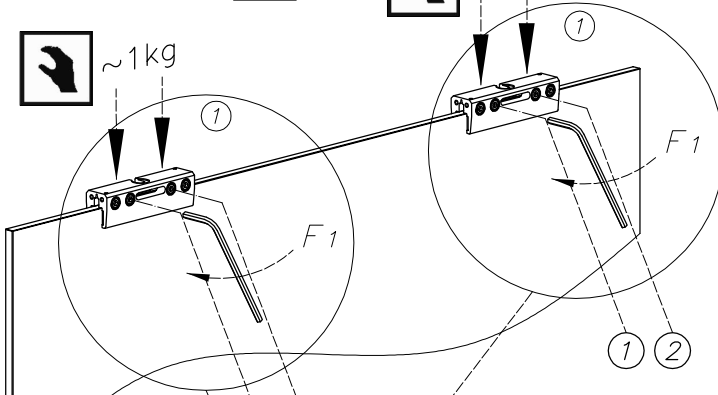
9



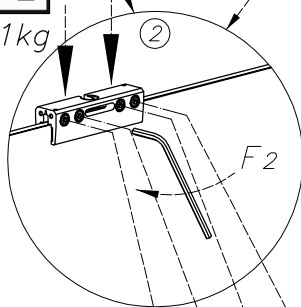
~1kg



~1kg



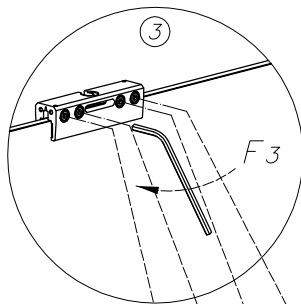
~1kg



$F_2 > F_1$



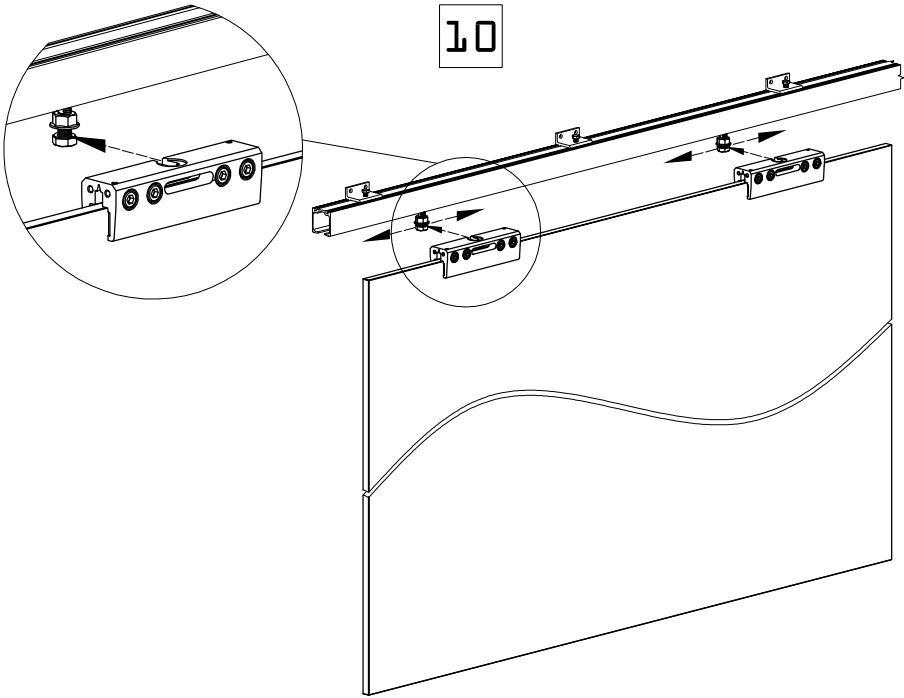
3 1 2 4



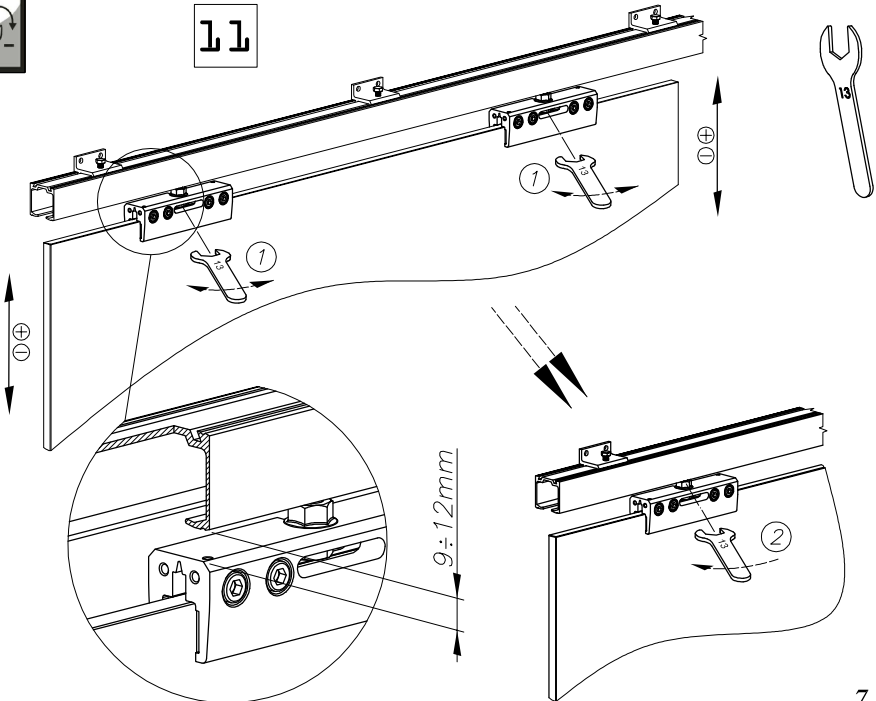
$F_3 = 26Nm$

3 1 2 4





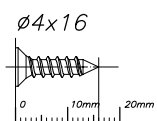
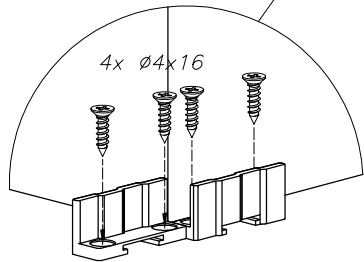
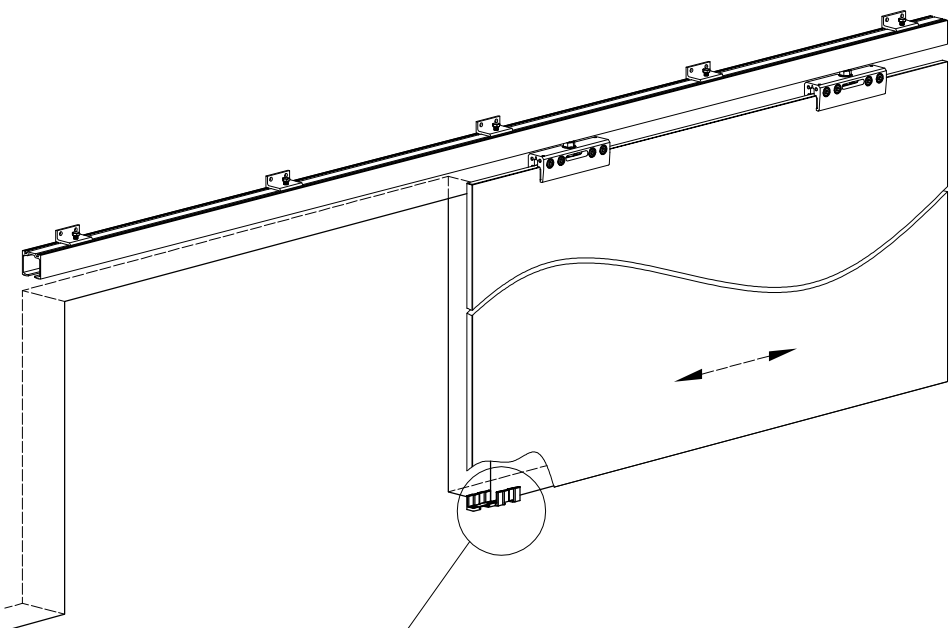
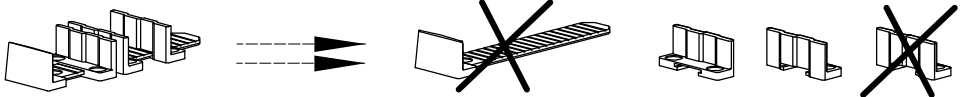
11



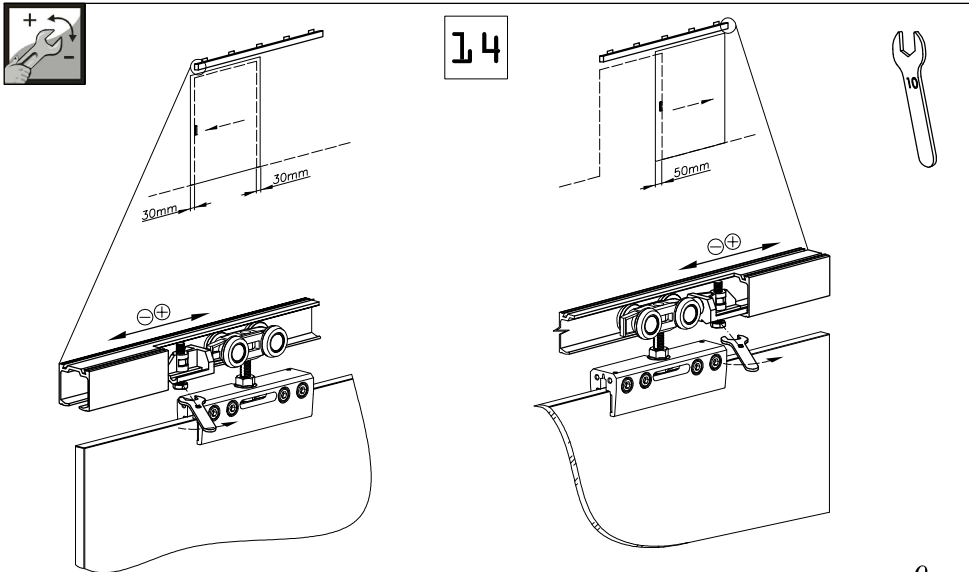
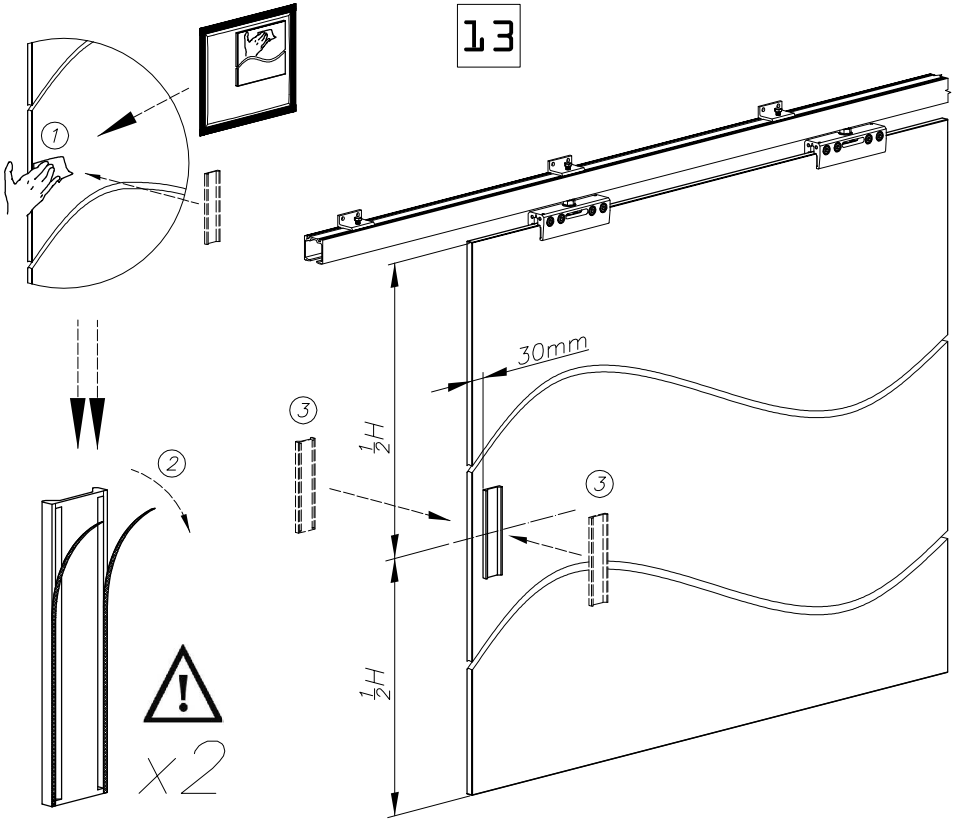


12

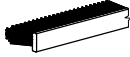
OK OK



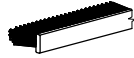




OPTIONS



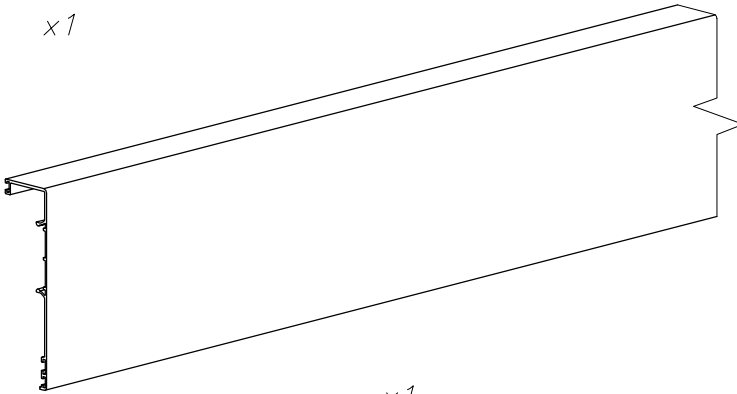
4,8x10mm  
x1



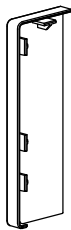
4,8x13mm  
x1



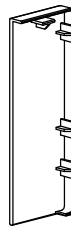
6,9x4mm  
x1



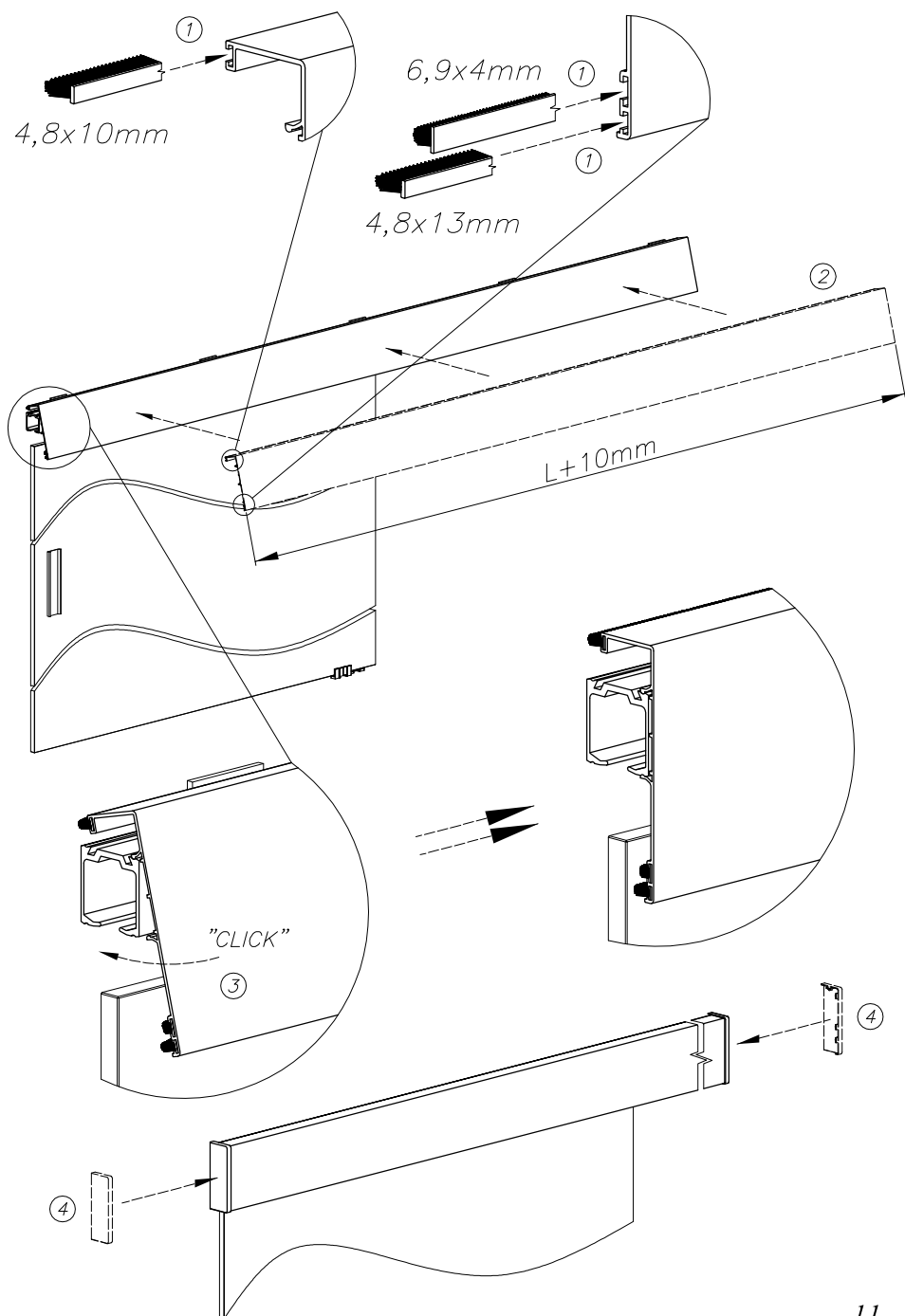
x1

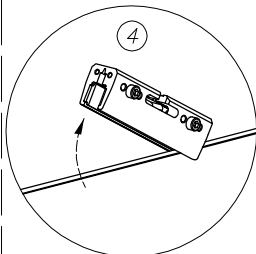
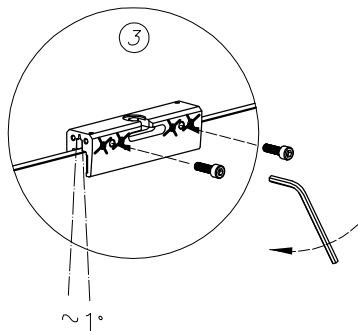
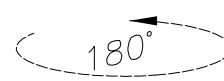
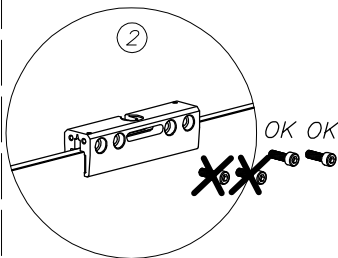
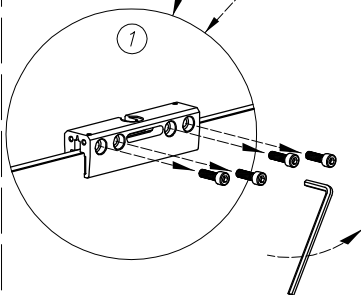
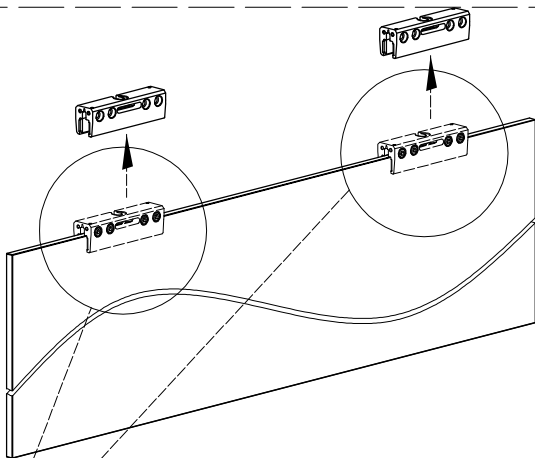


x1



x1





www.valcomp.pl

2012-07/1-PL