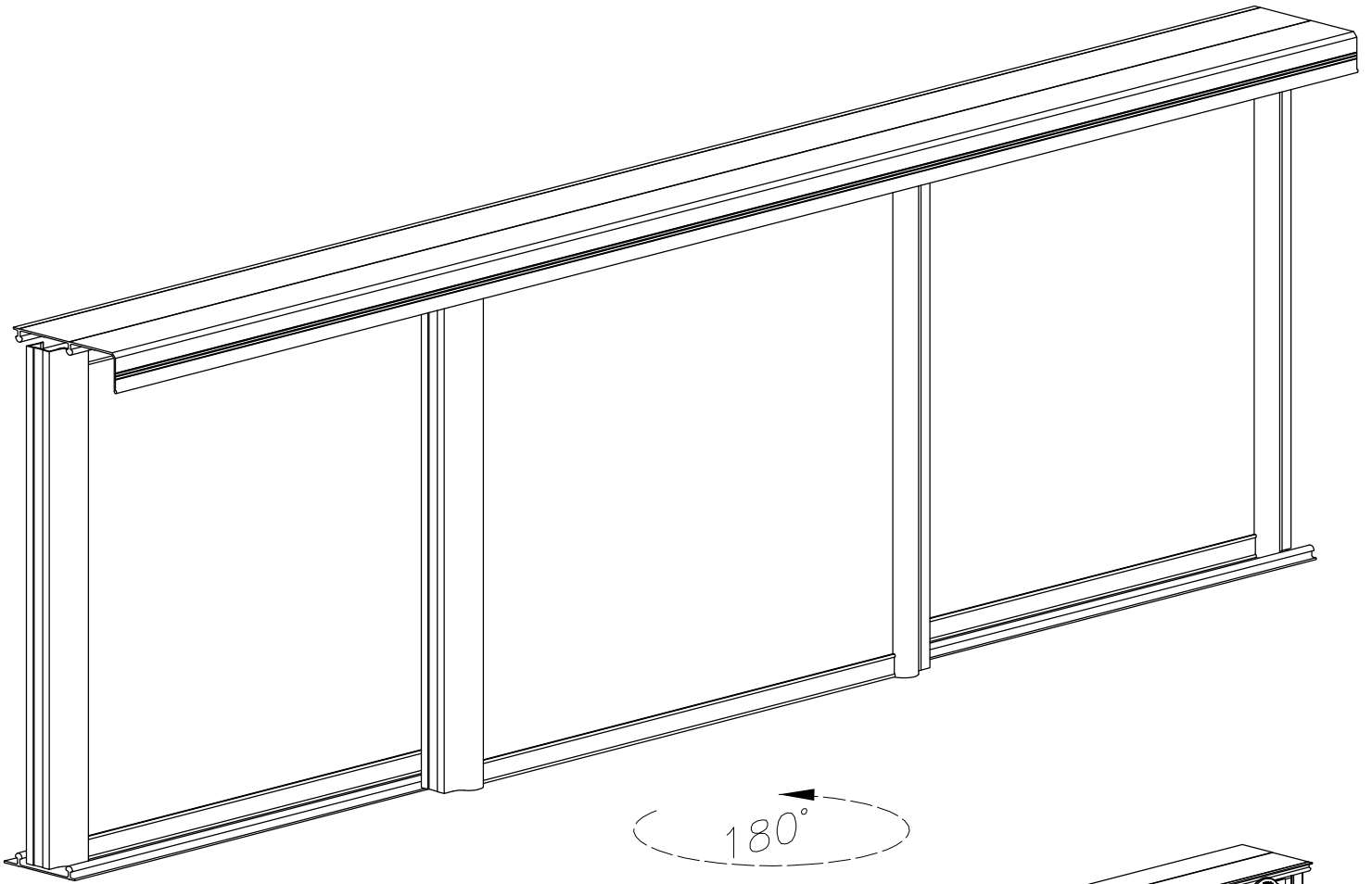


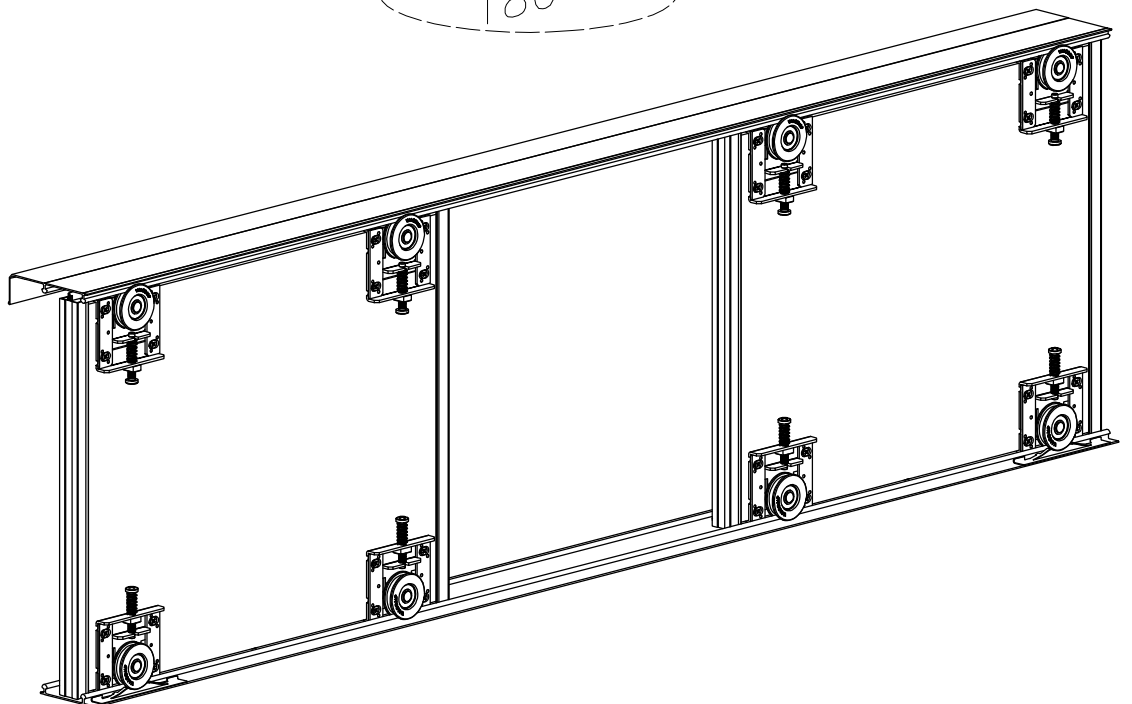


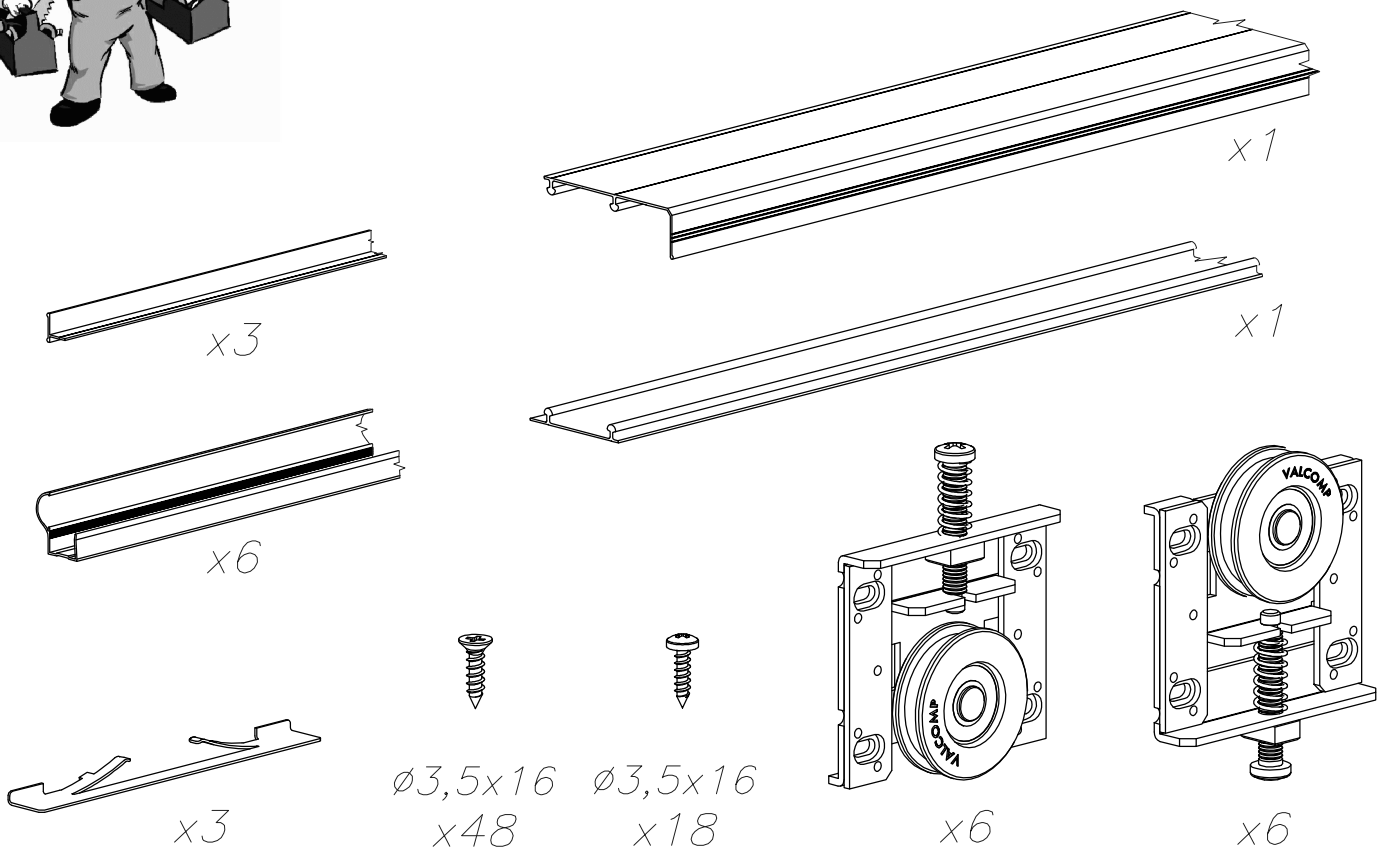
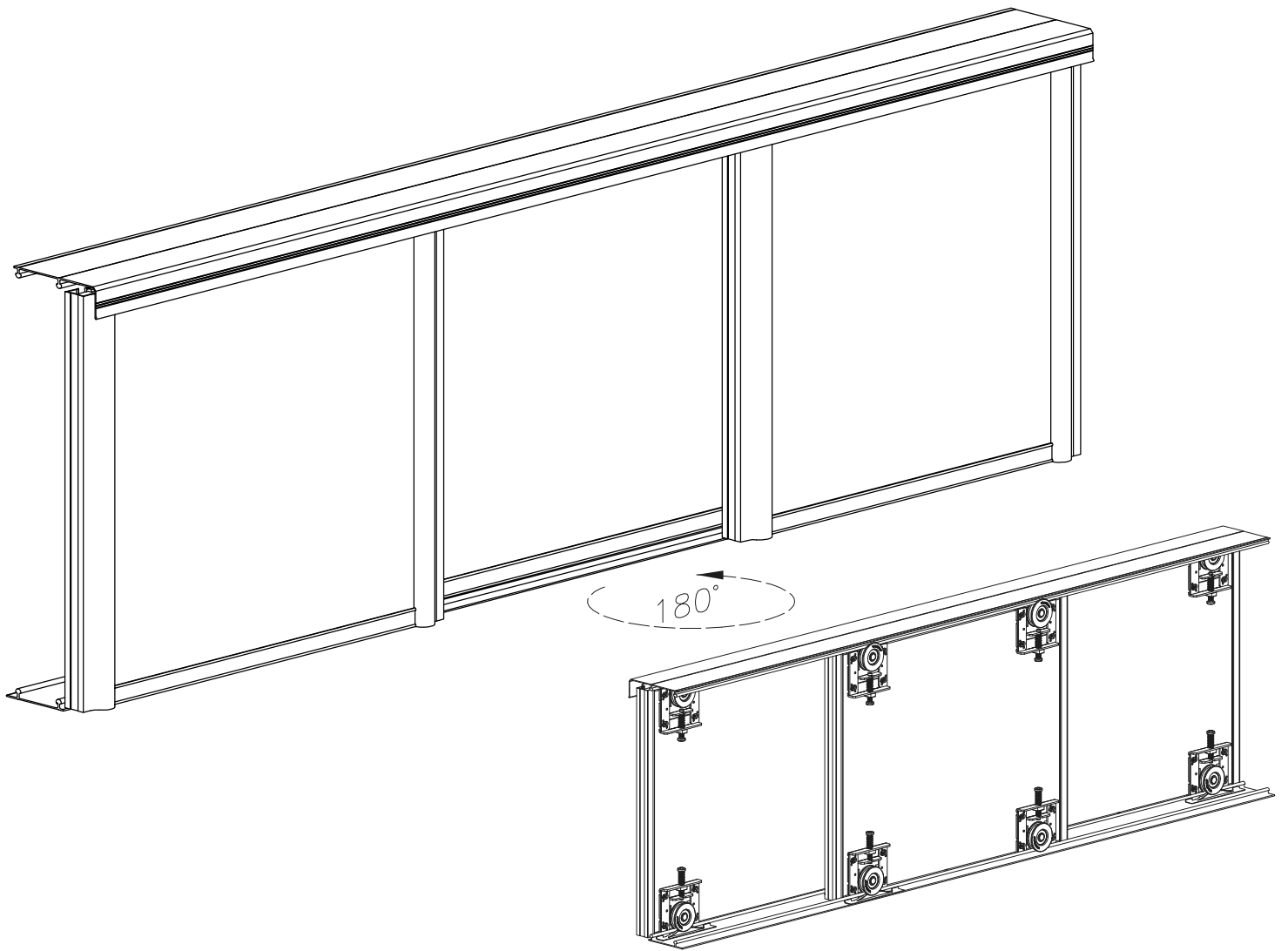
www.valcomp.pl

ARES 3 (3d)



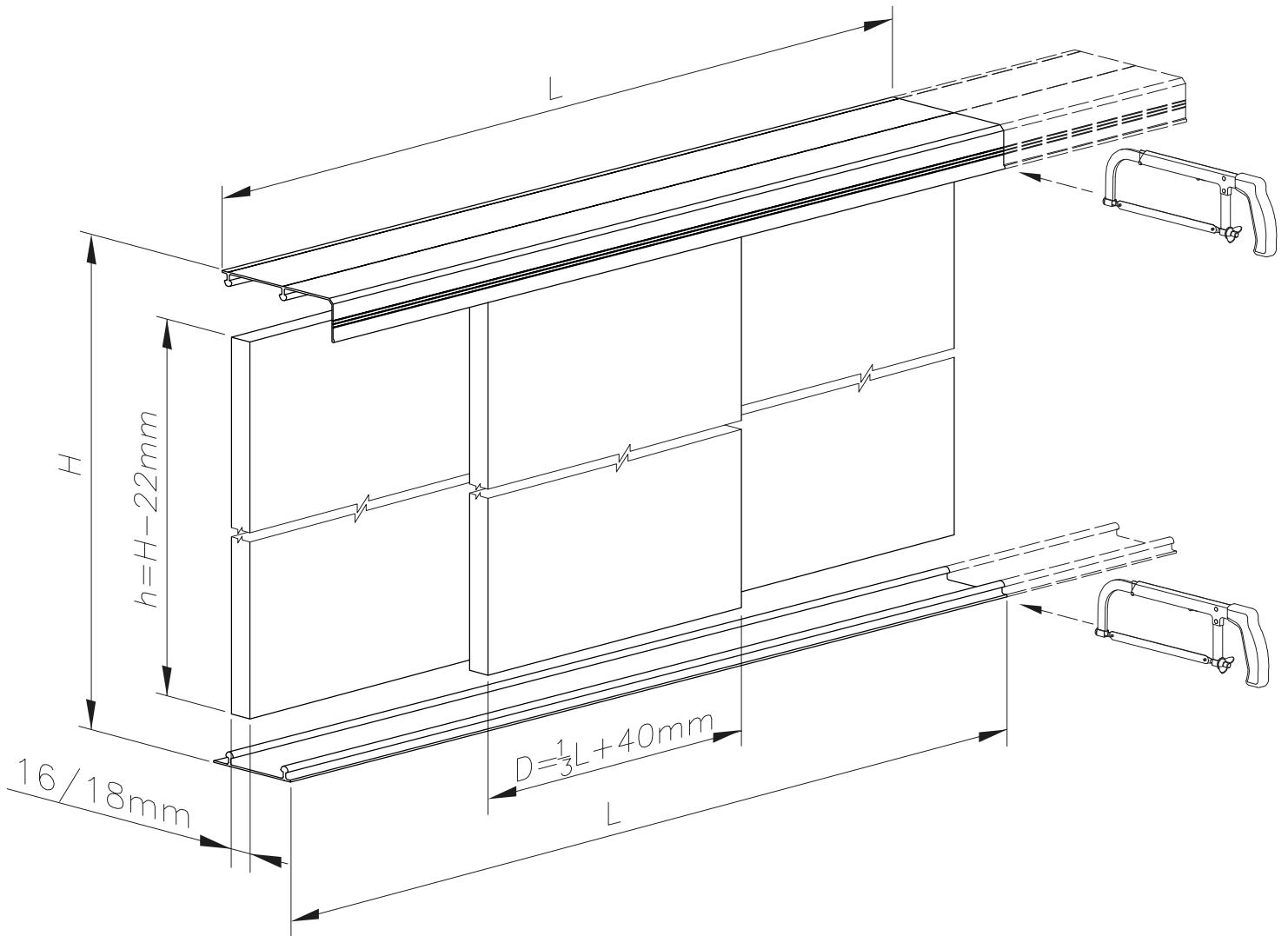
180°





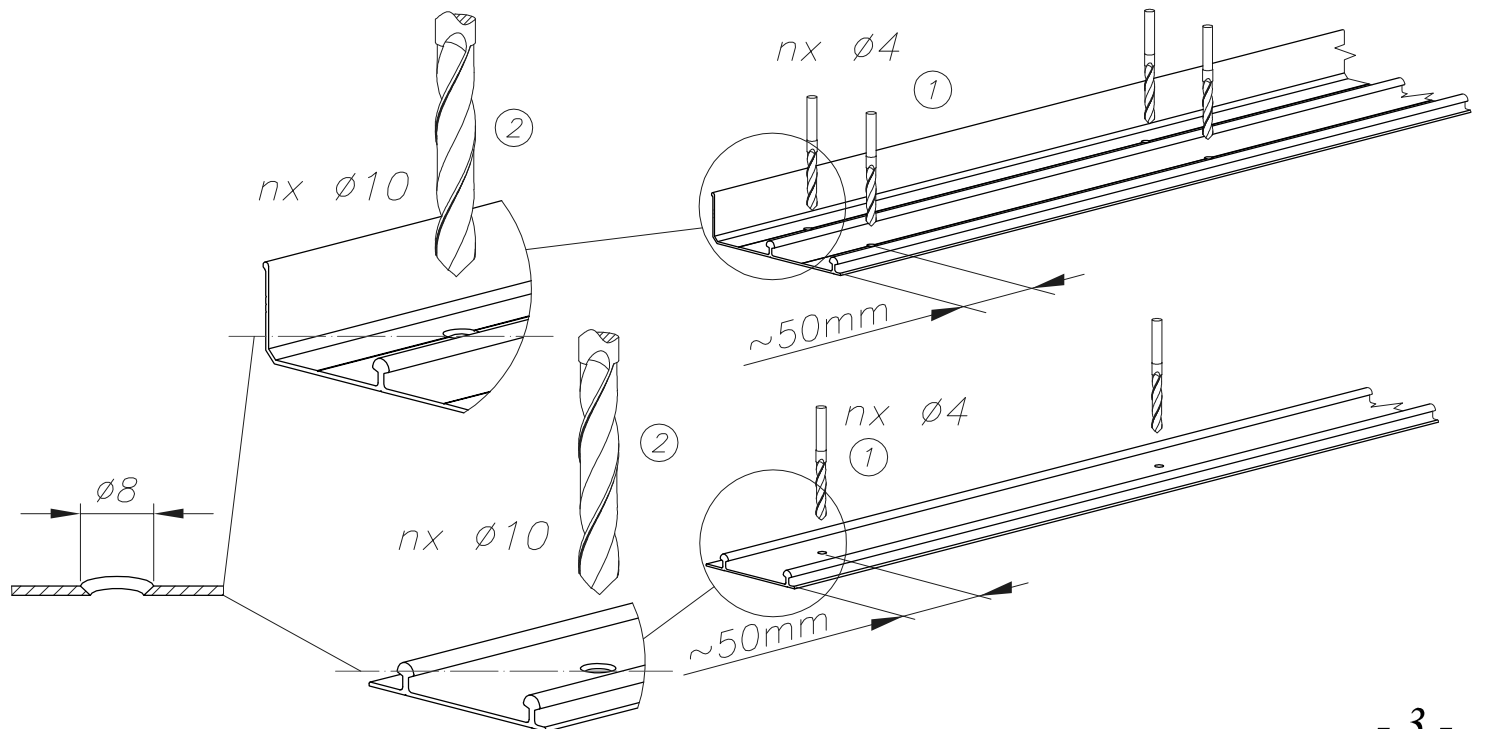


1



2

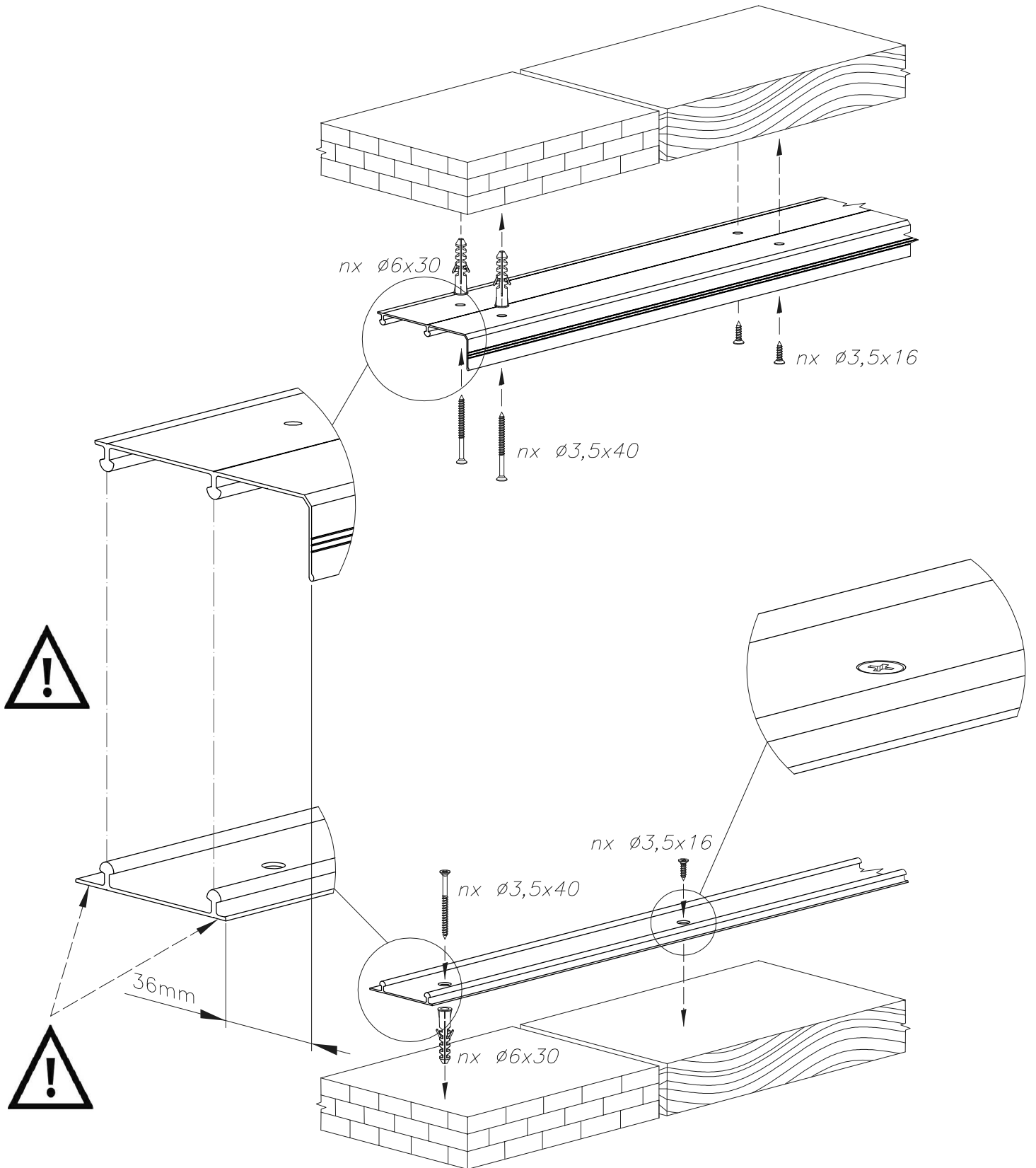
L[mm]	1200	1500	1800	2000	2400	2700
n[szt]	3	3	4	4	5	5



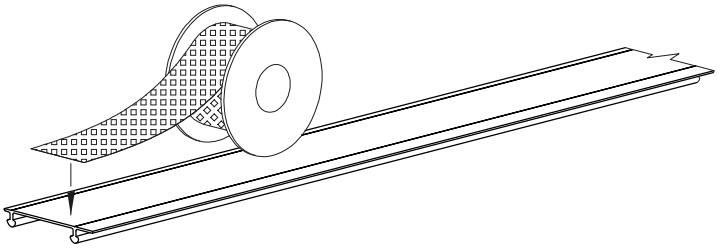
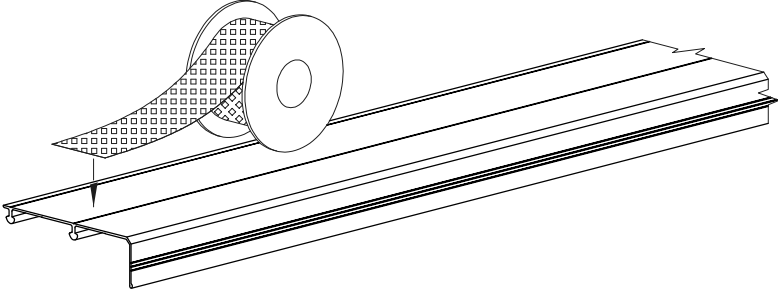


3

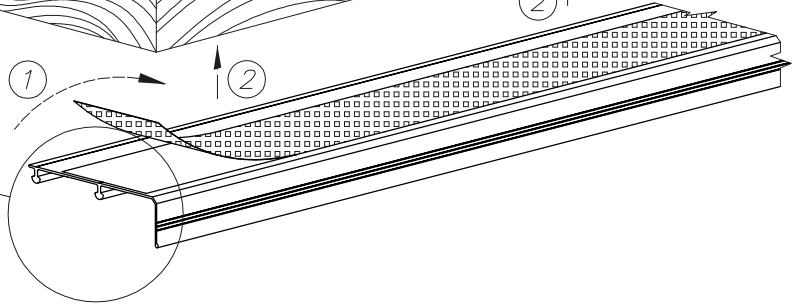
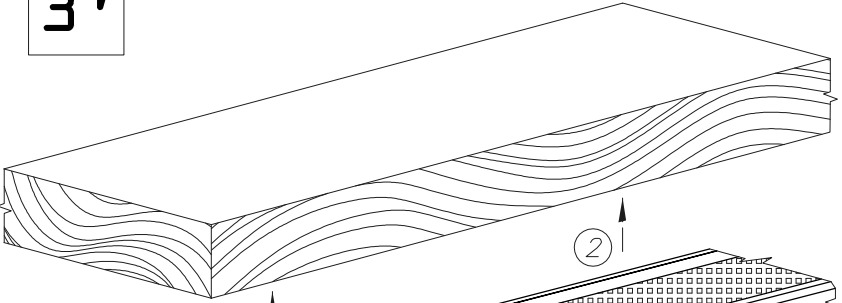
L[mm]	1200	1500	1800	2000	2400	2700
n[szt]	3	3	4	4	5	5



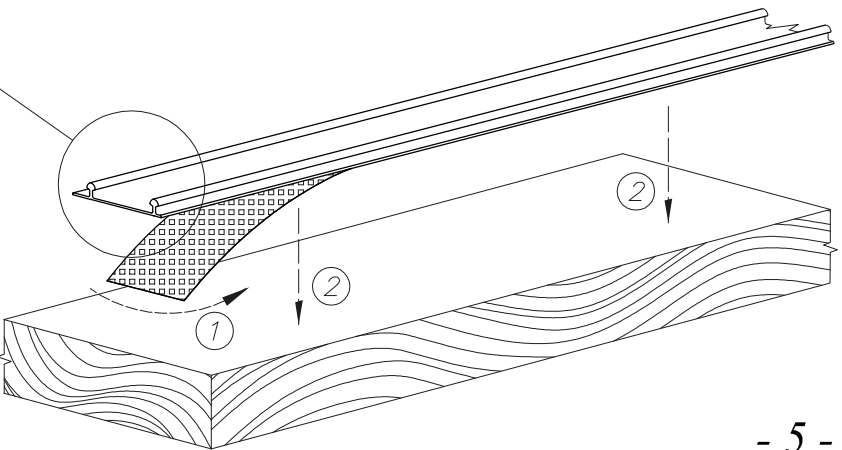
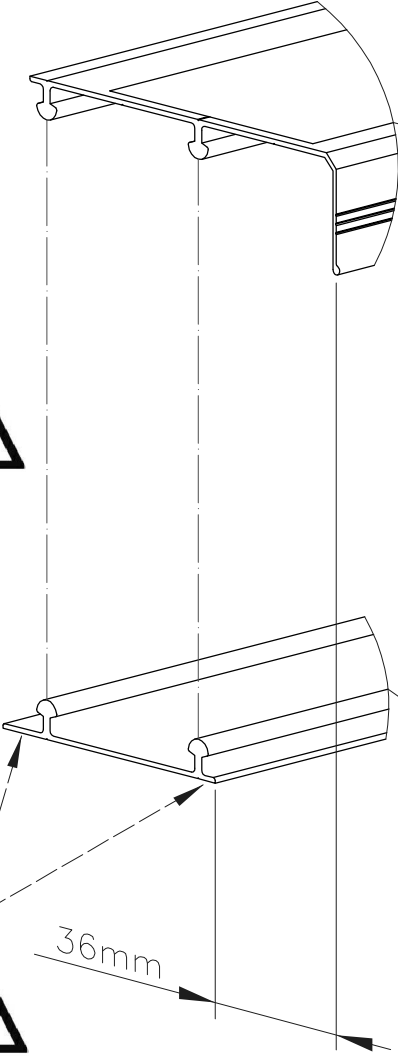
2'

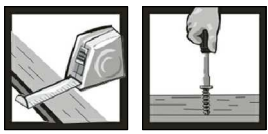


3'

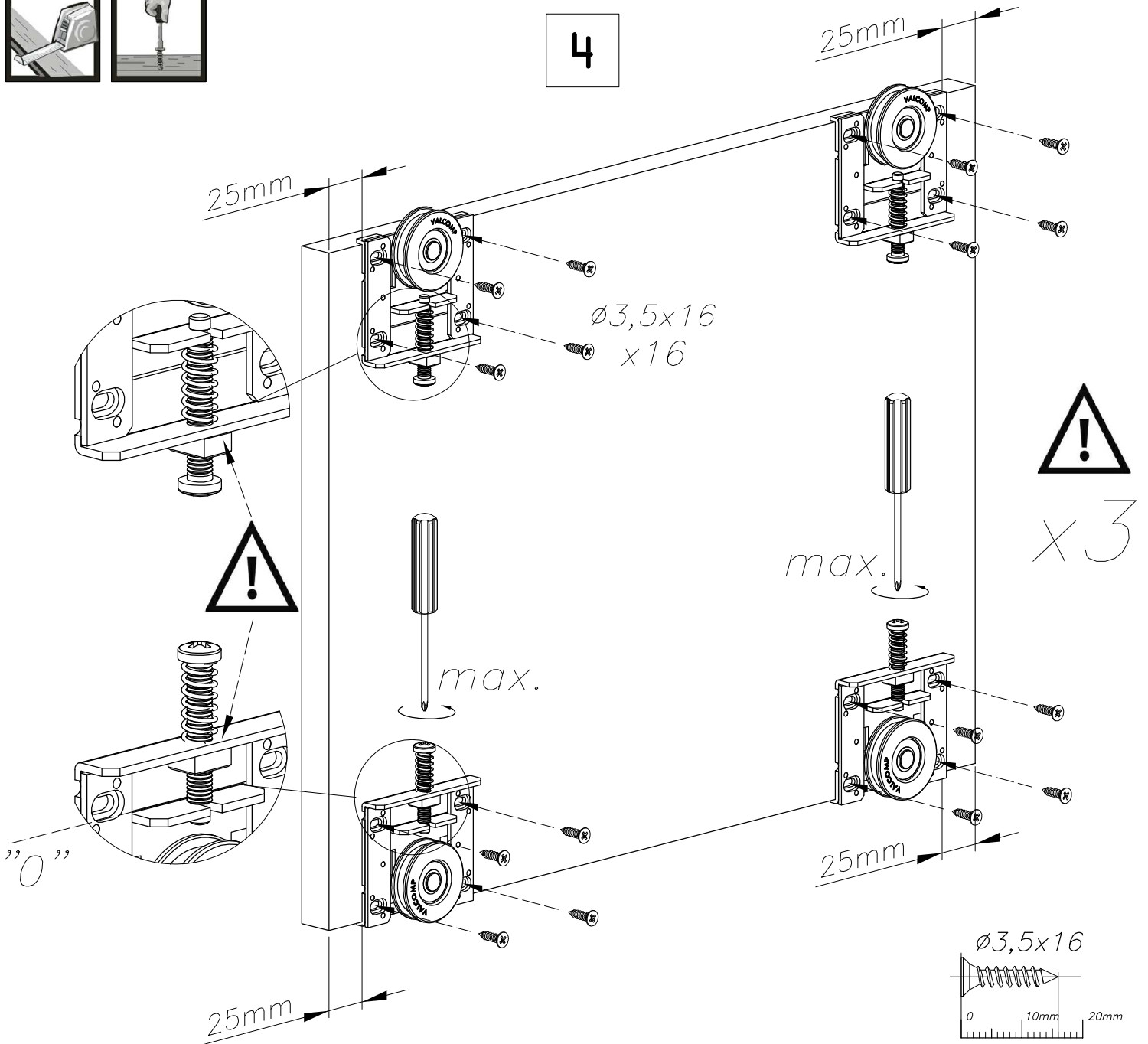


36mm





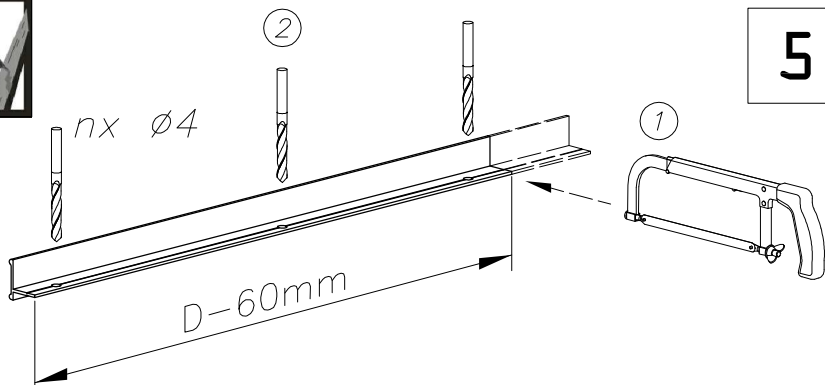
4



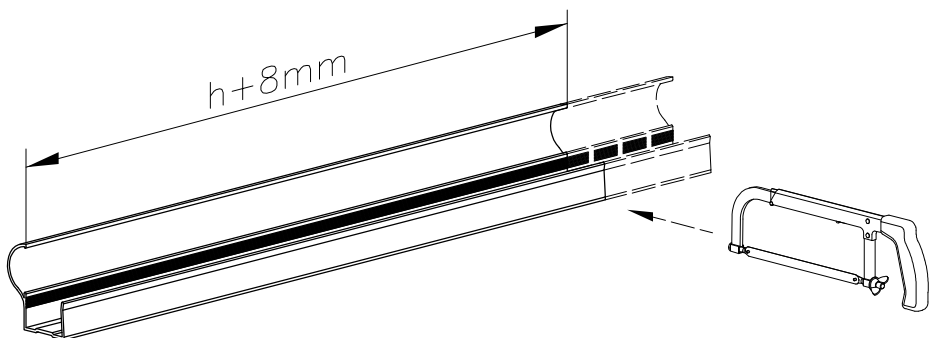
5

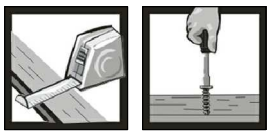
D[mm]	<500	>500
n[szt]	2	3

x6

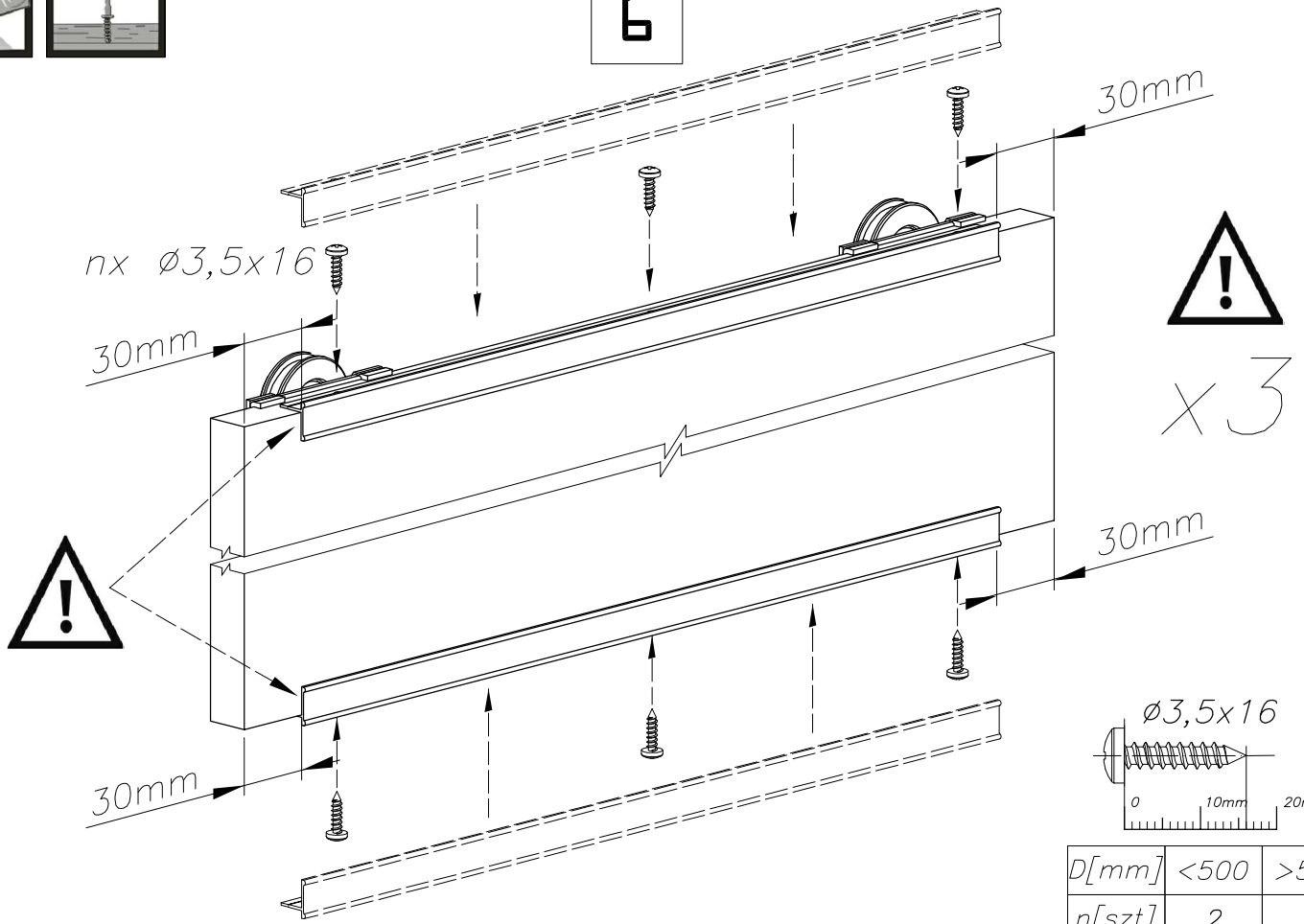


x6

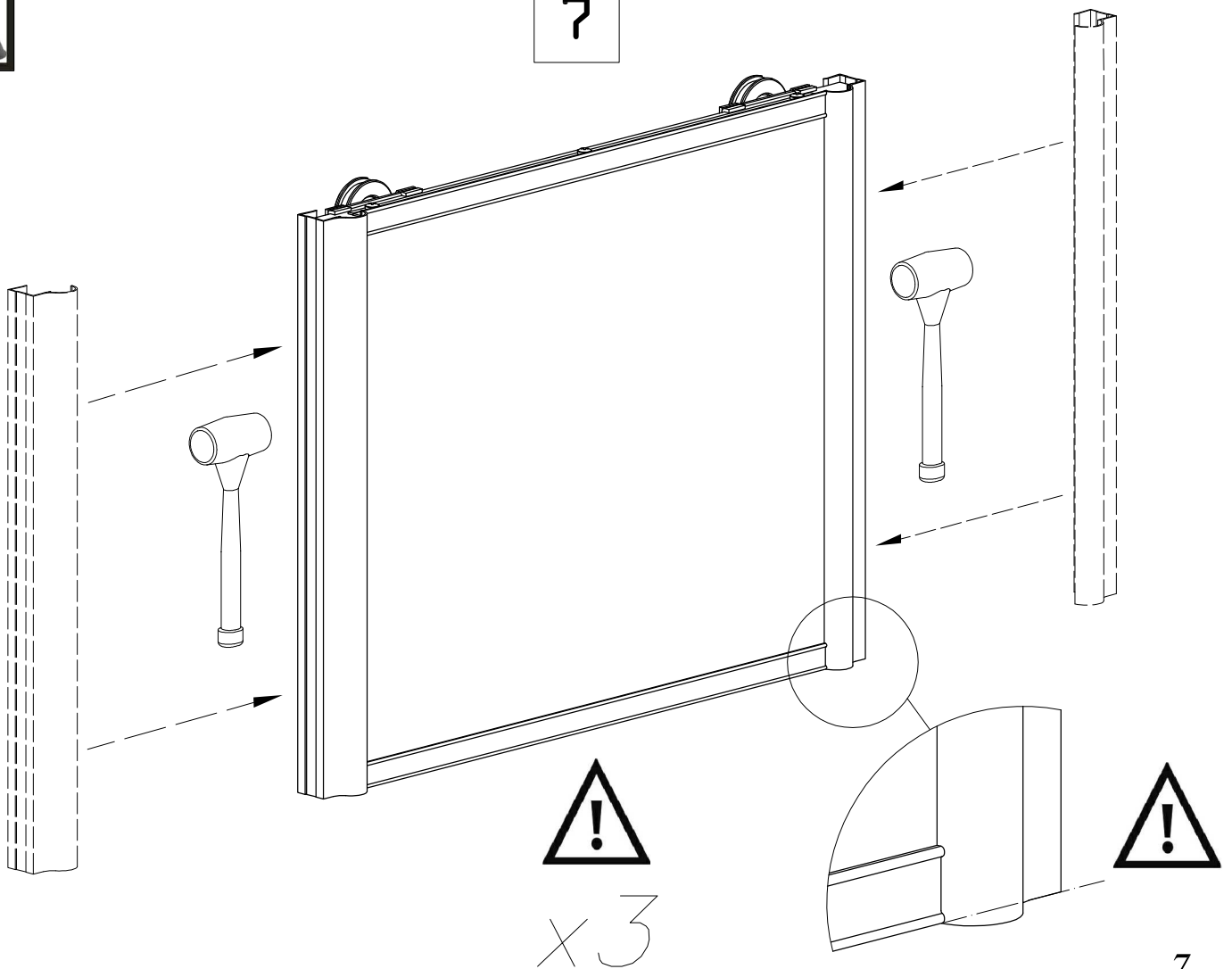


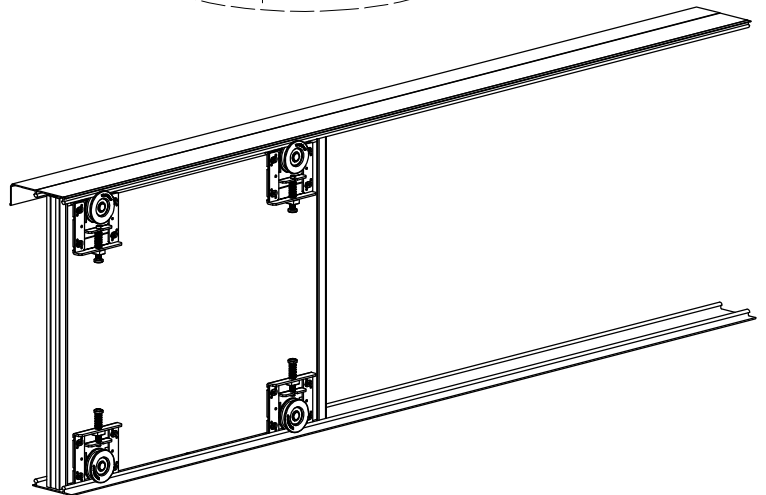
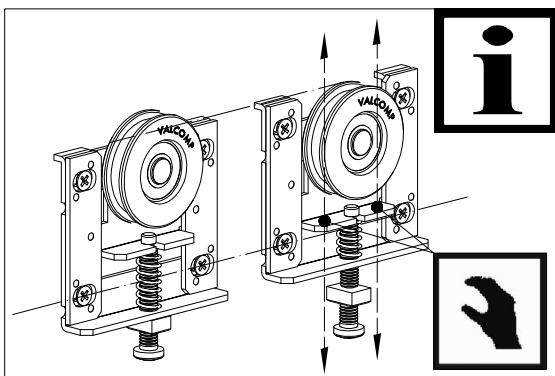
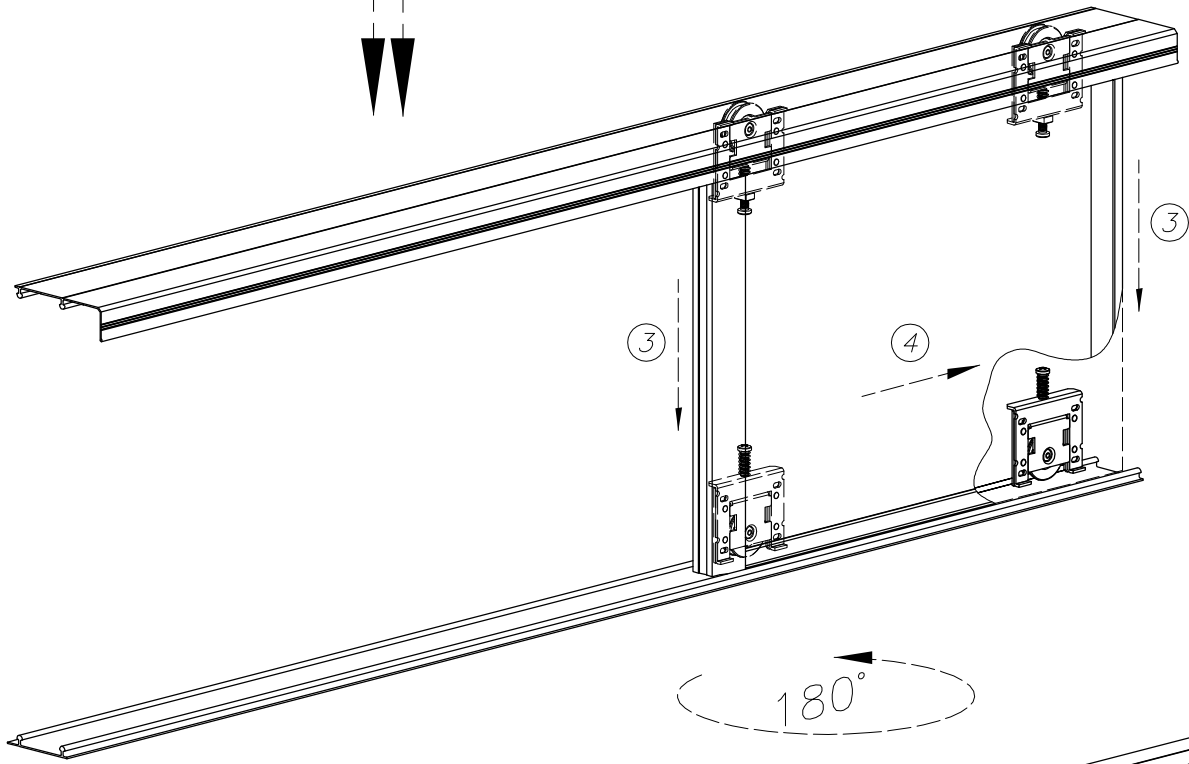
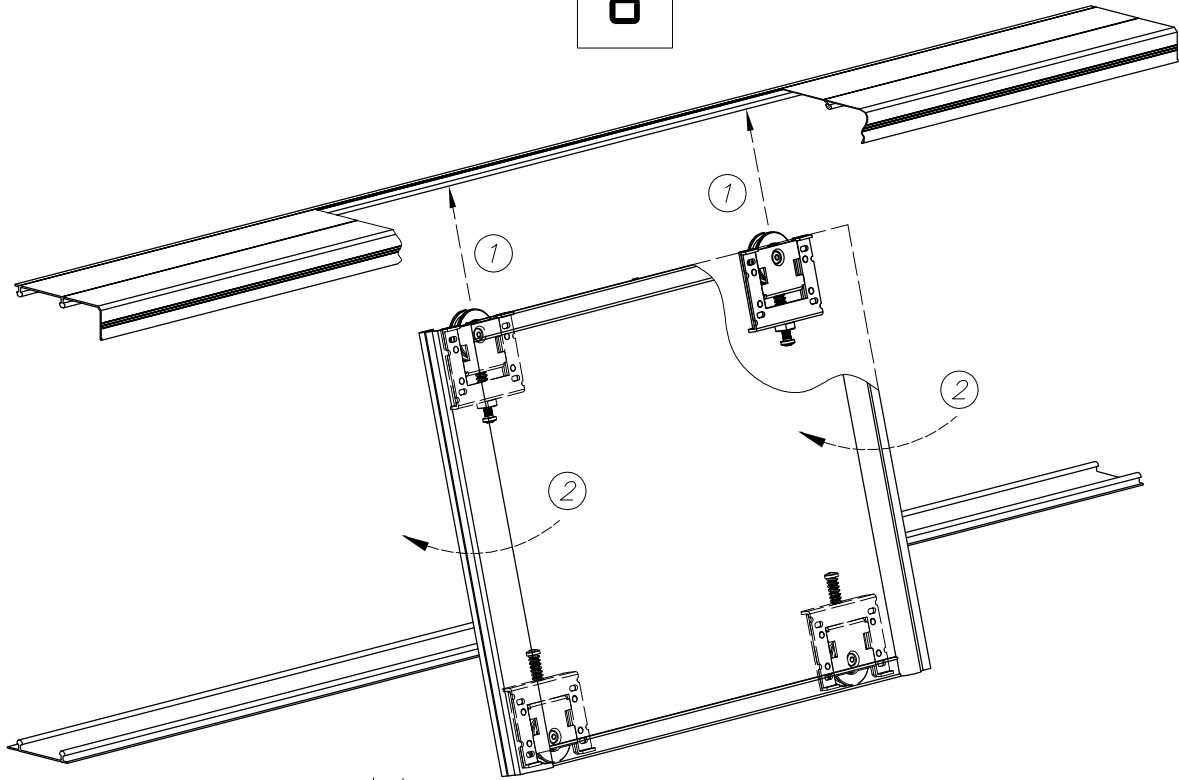


6

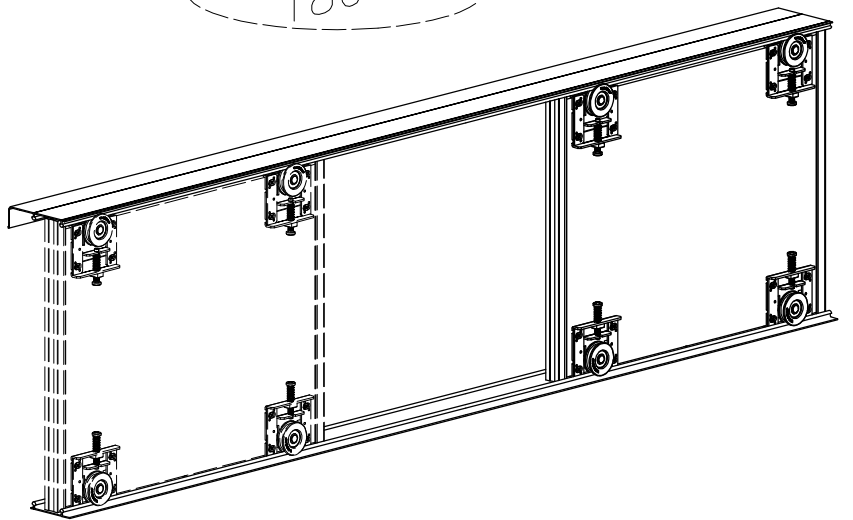
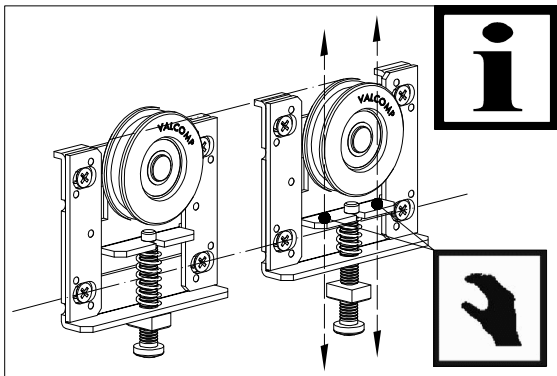
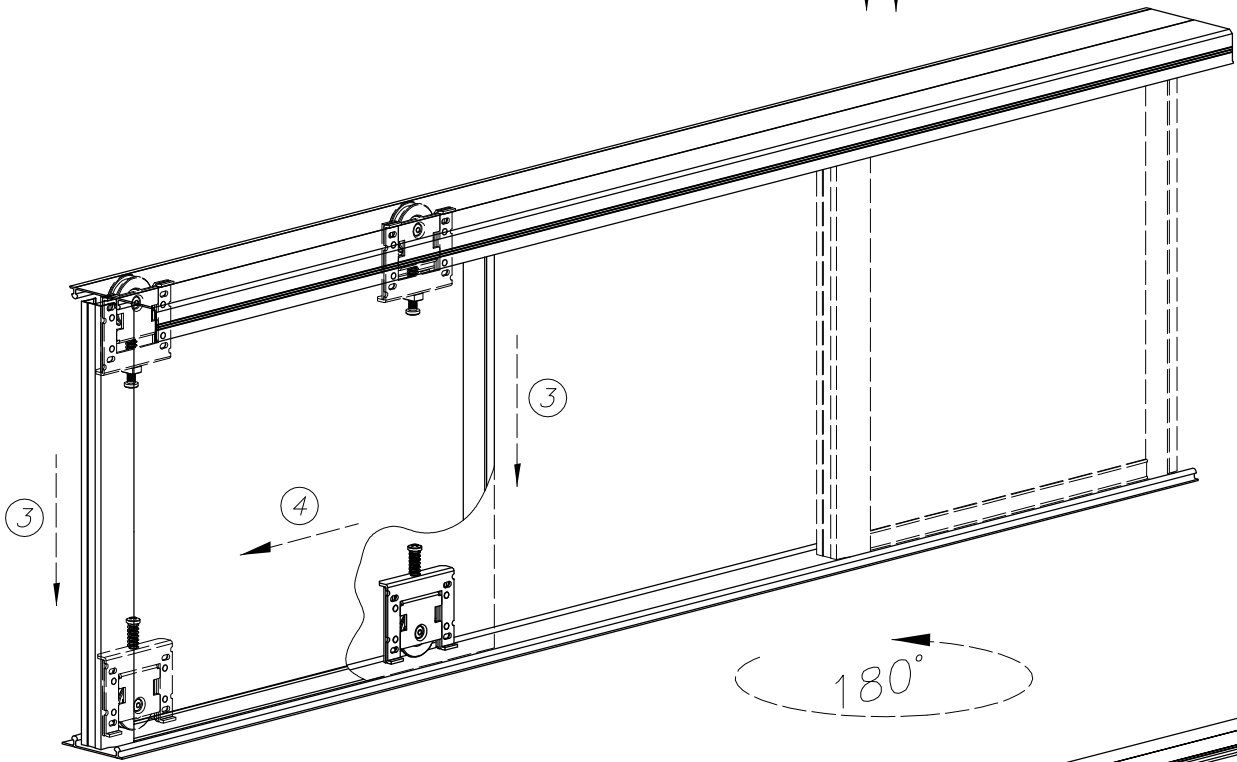
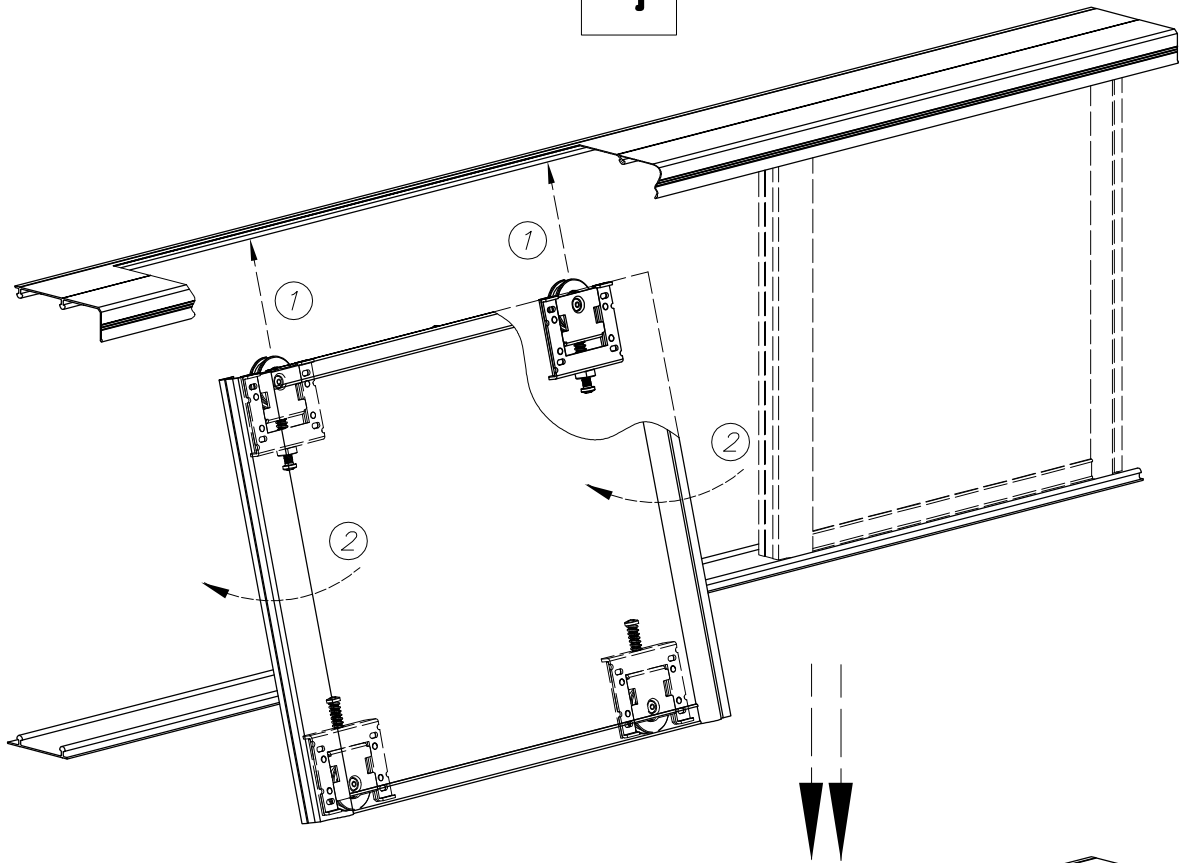


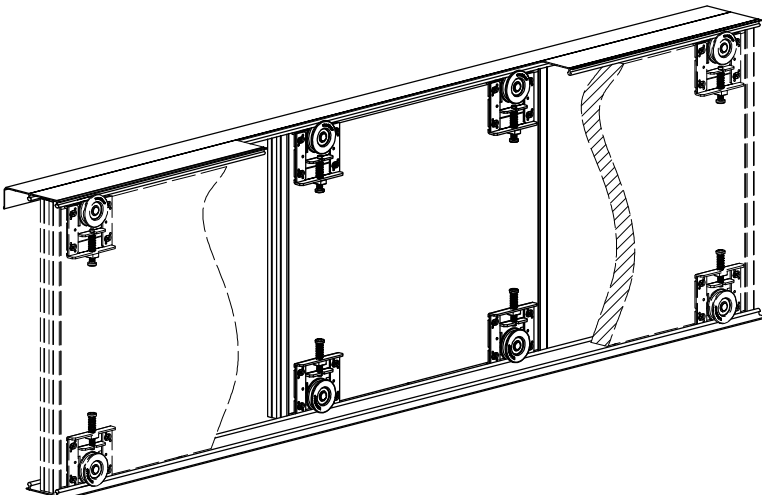
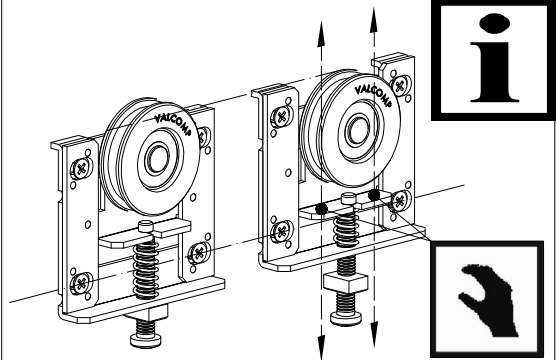
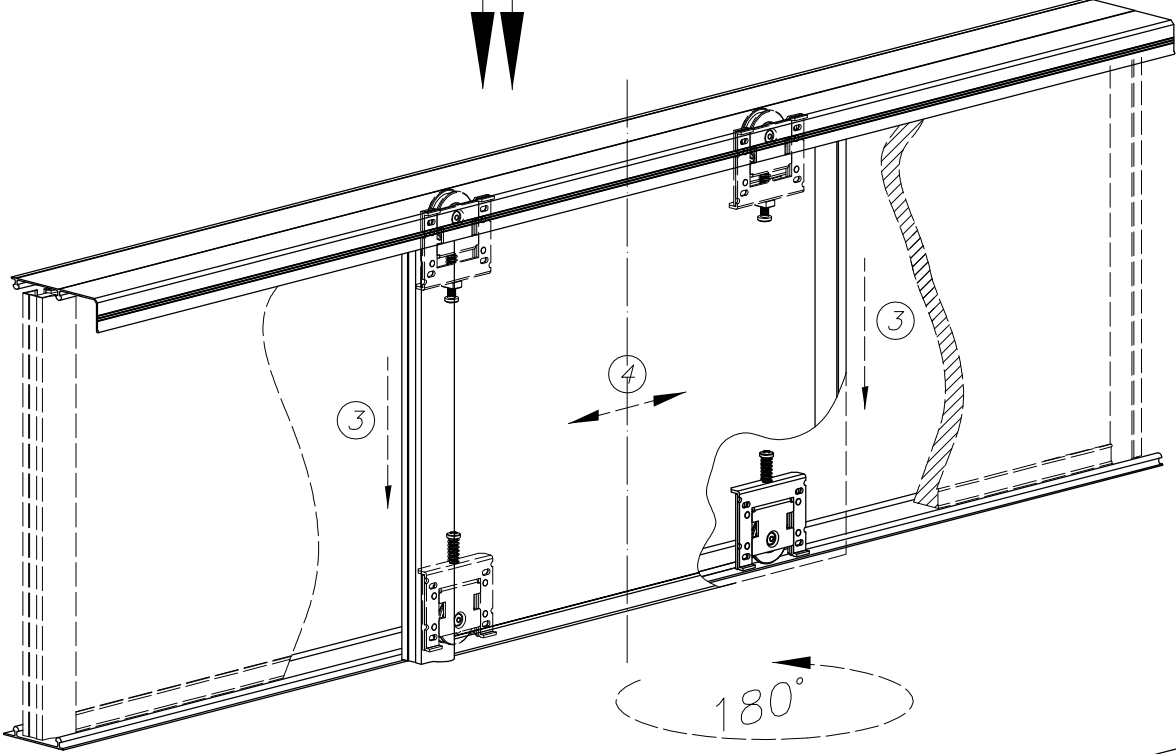
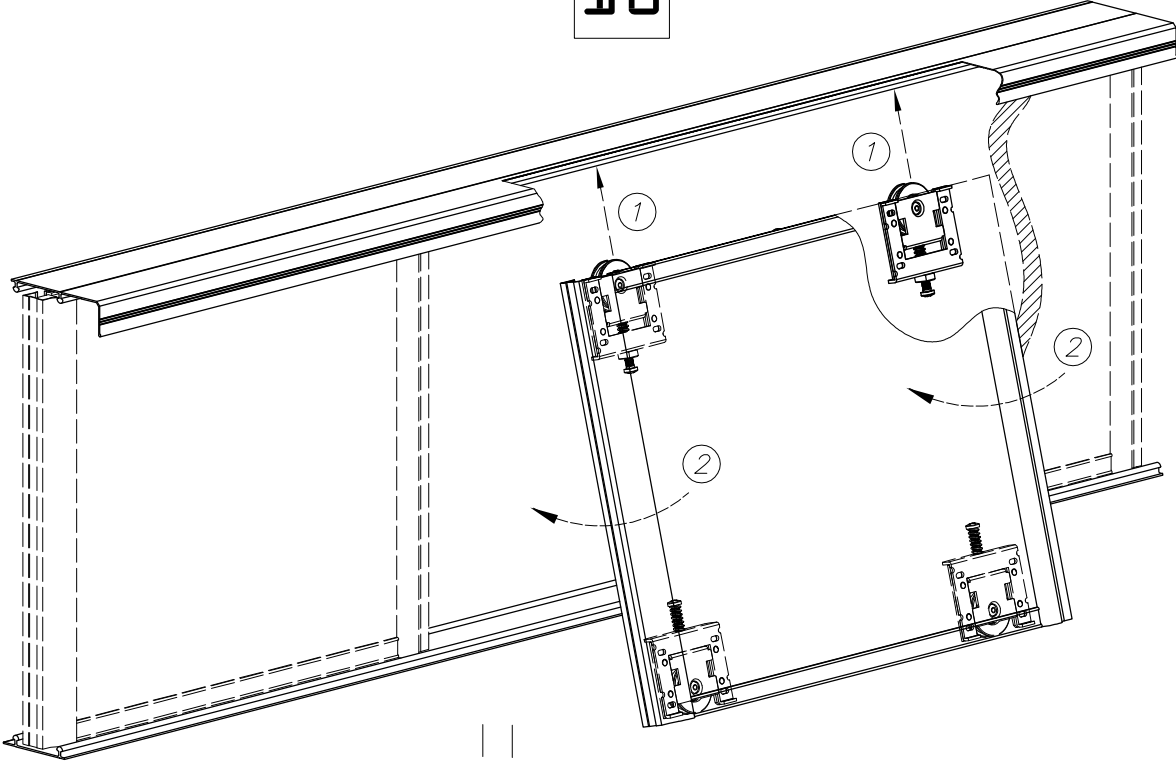
7

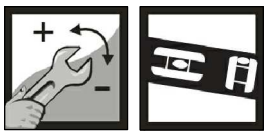




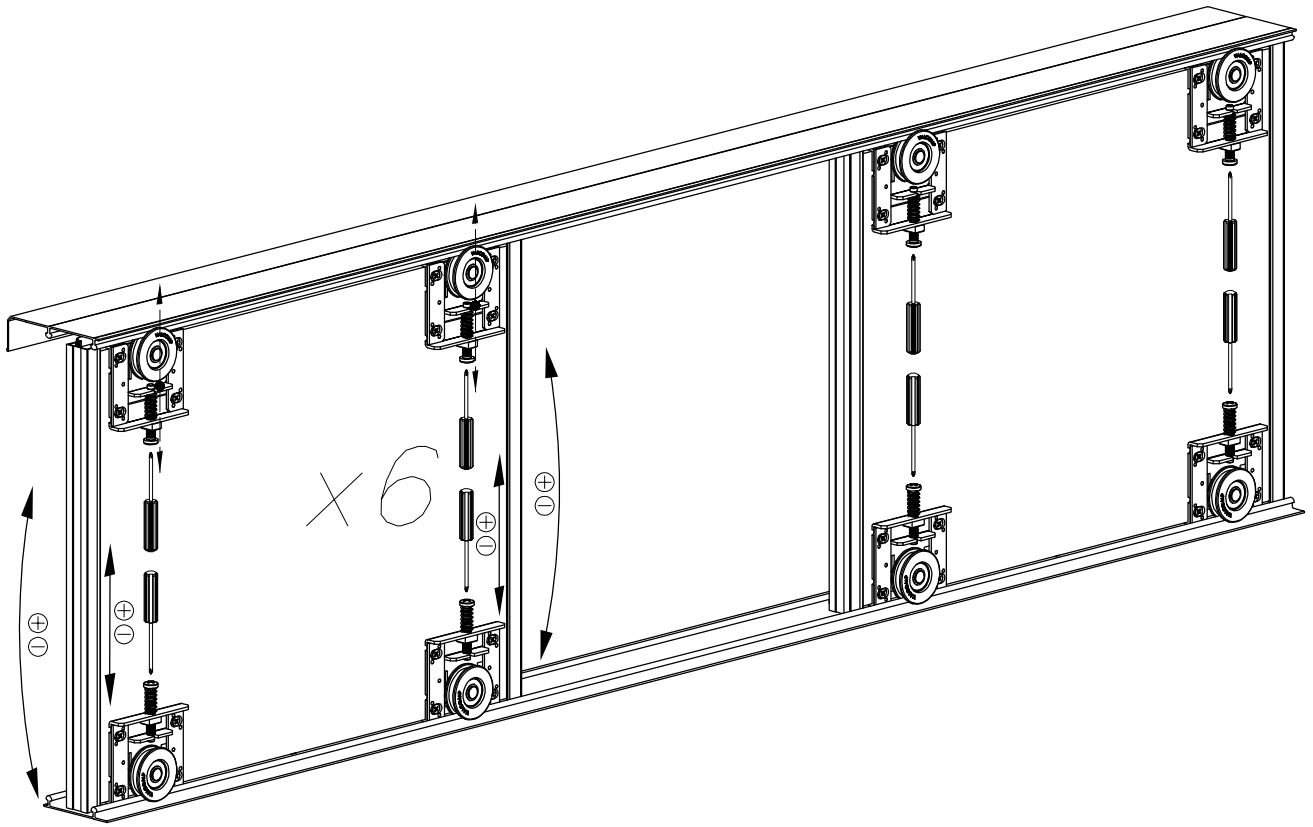
9



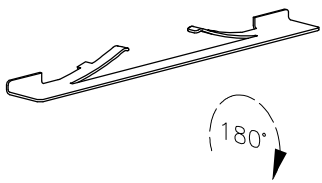




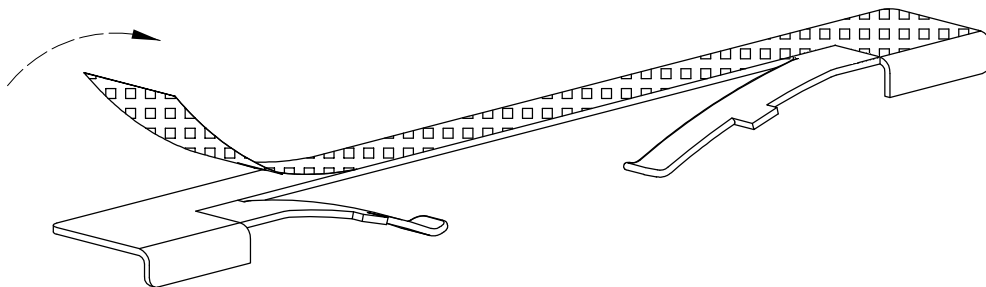
11



12



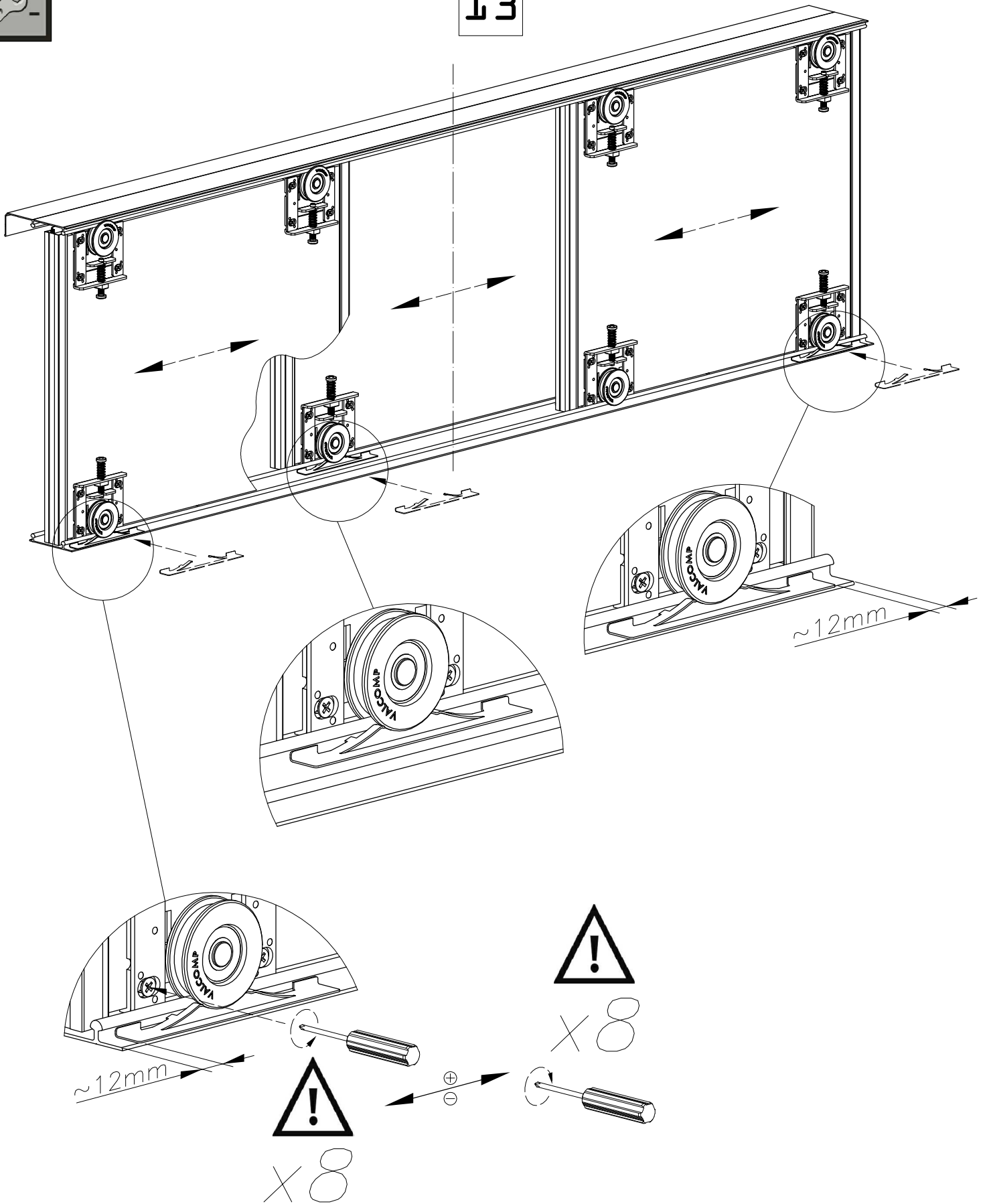
180°



x3



13



www.valcomp.pl