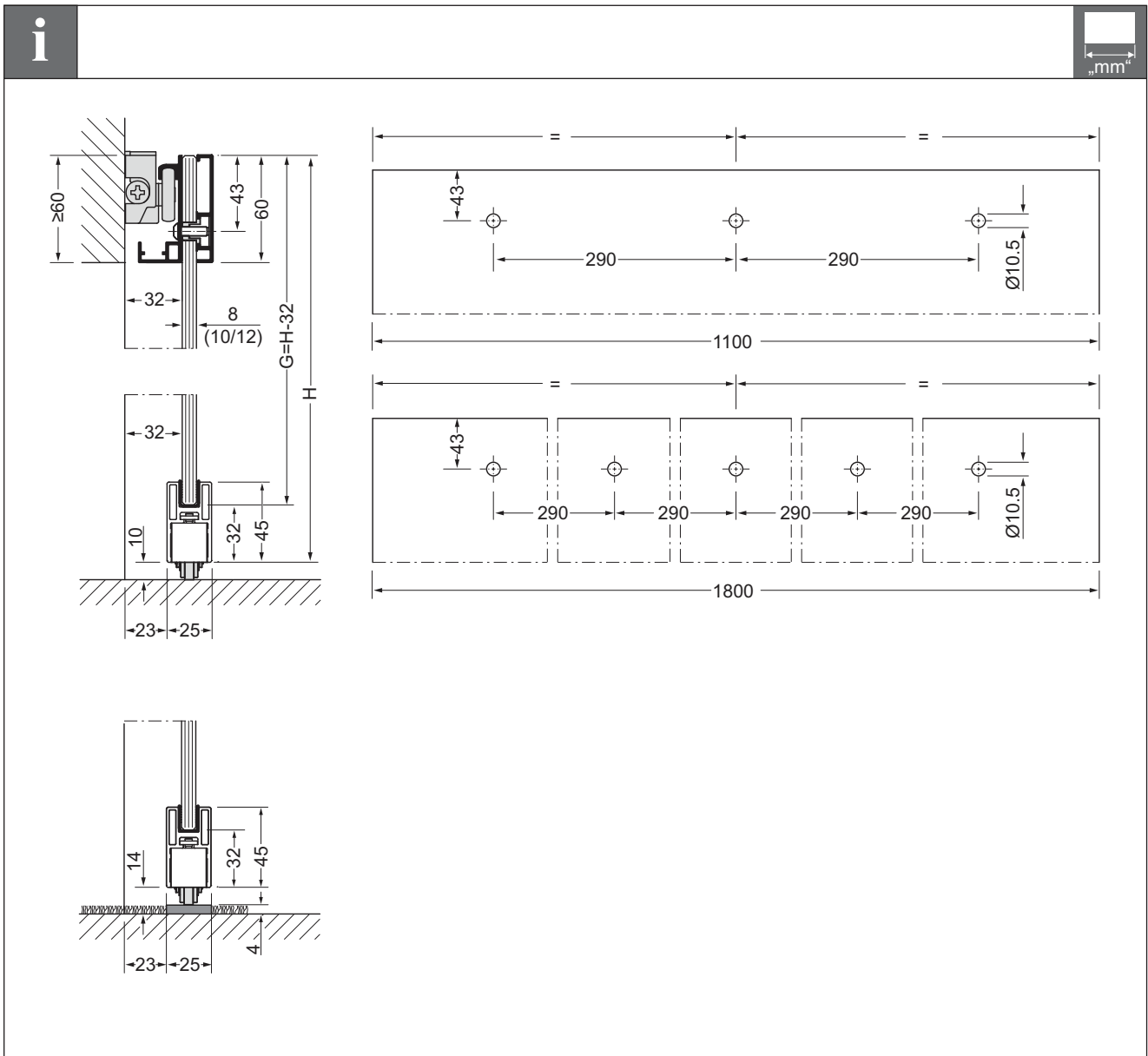




Slido Design 80-M

940.59.004
 940.59.005
 940.59.006
 940.59.007

	Design 80-M		
	L = 1100 mm	D = 8 mm	940.59.004
		D = 10 mm	940.59.005
	L = 1800 mm	D = 8 mm	940.59.006
D = 10 mm		940.59.007	

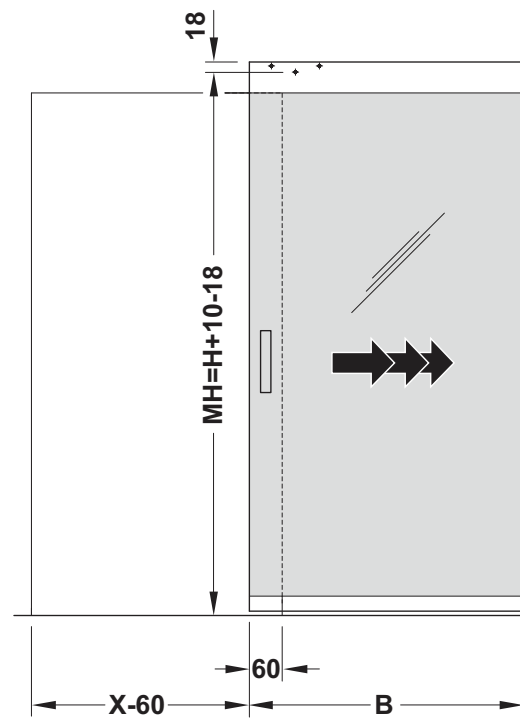
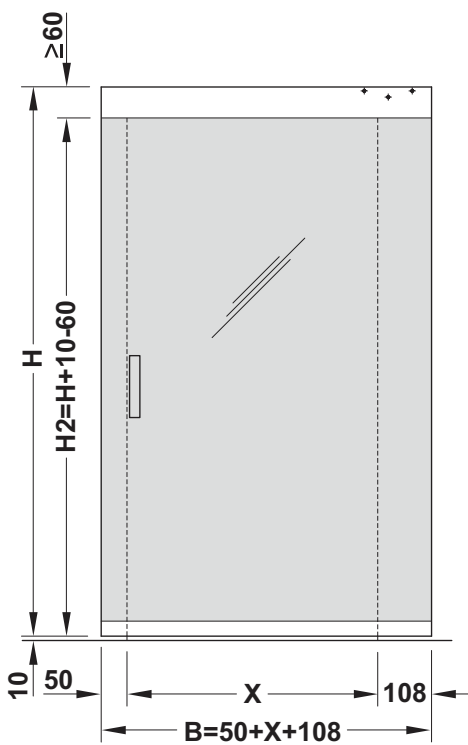
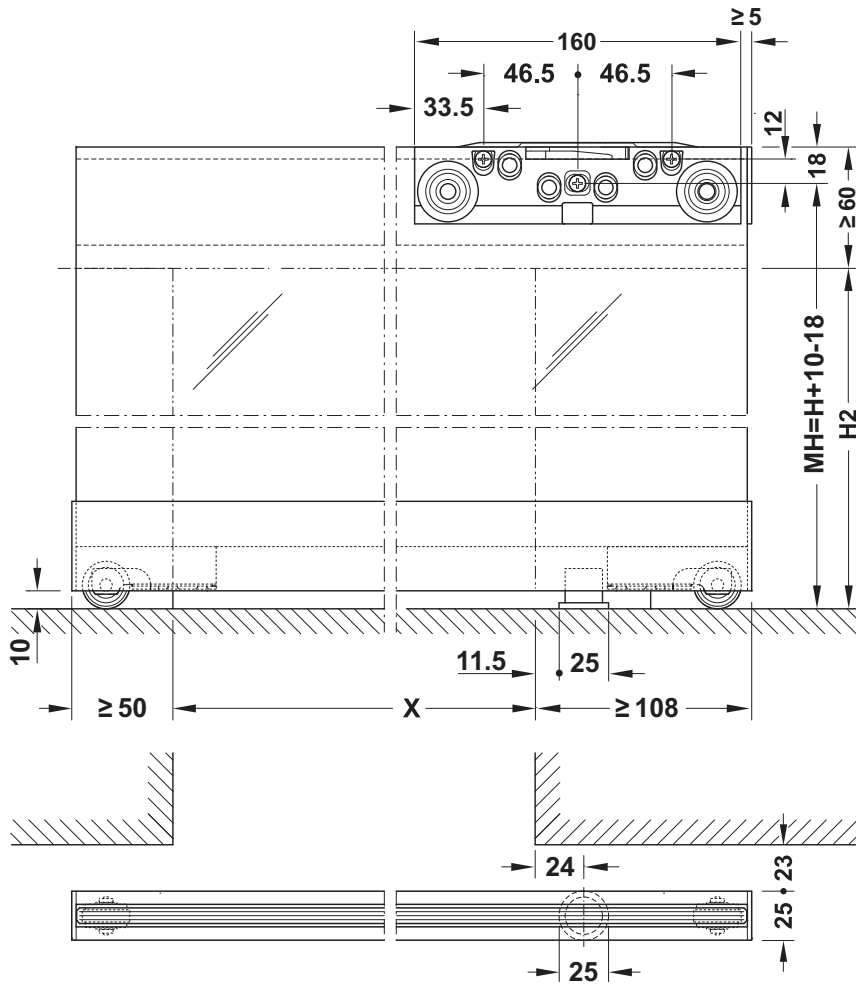


732.29.822

HDE 25.07.2016

i

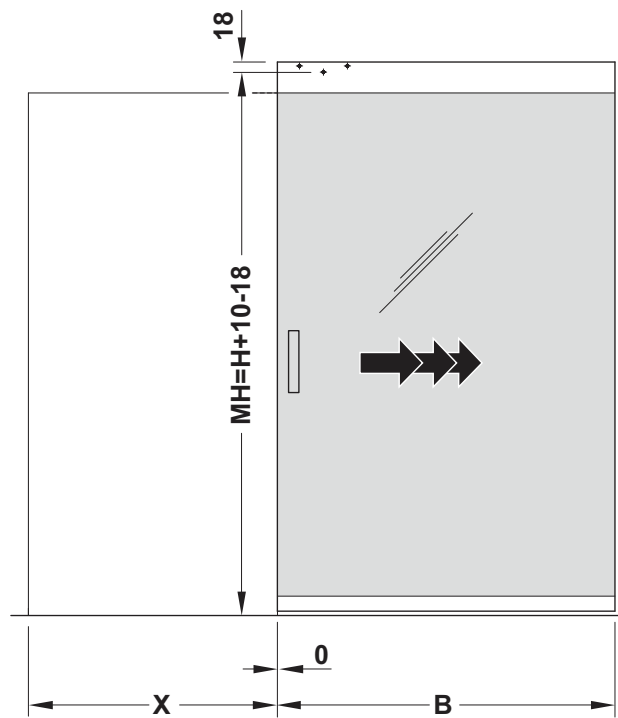
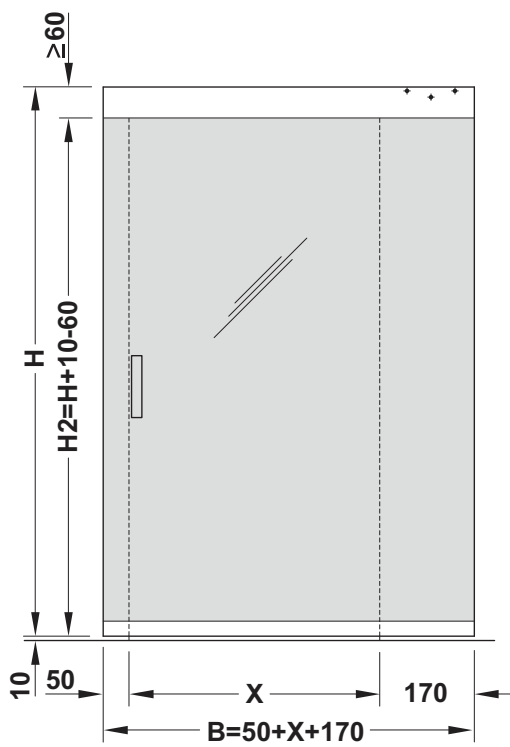
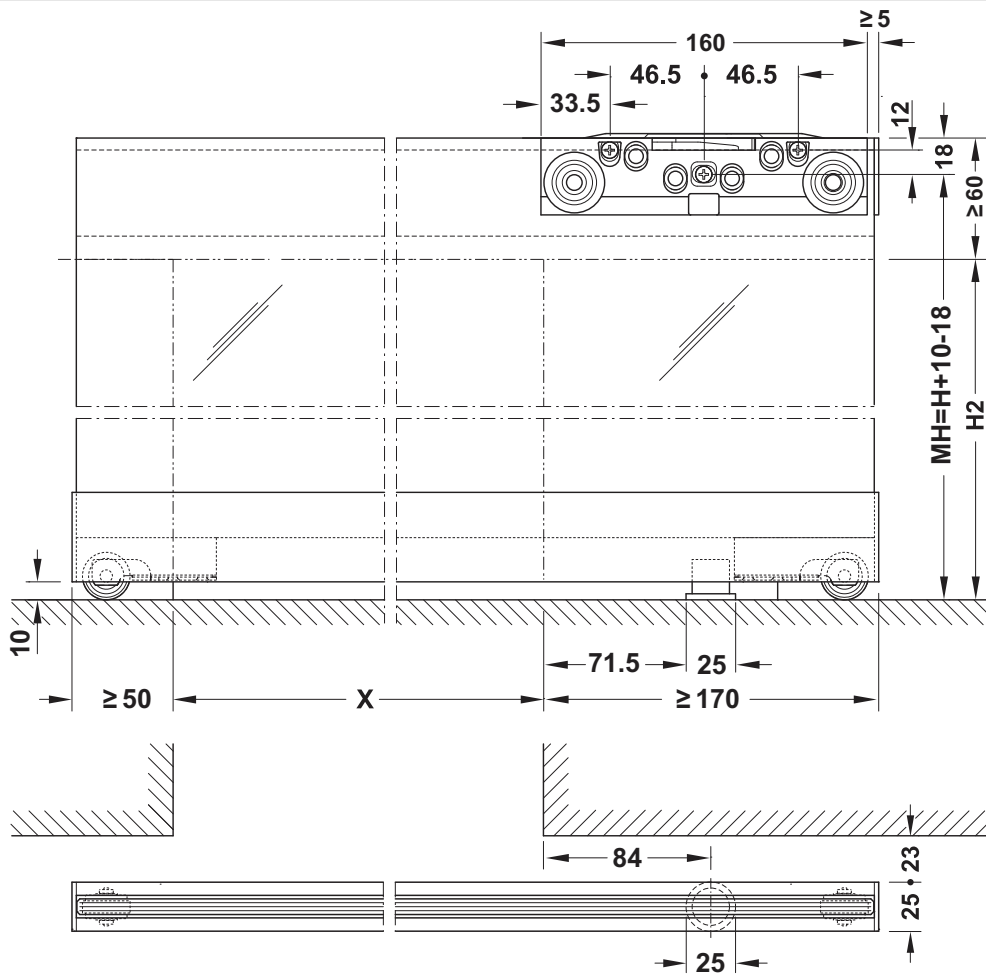
„mm“



732.29.822

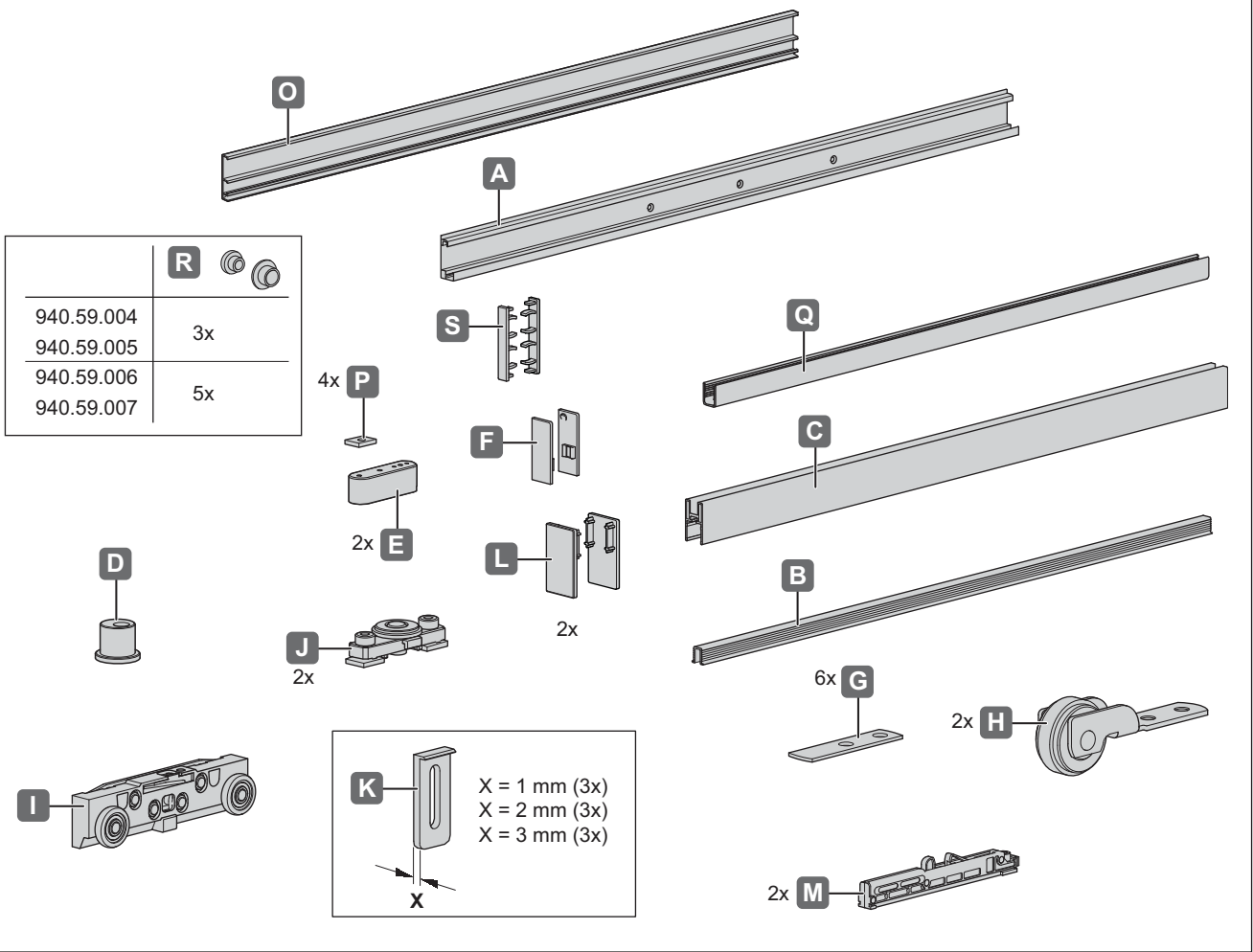
HDE 25.07.2016

i

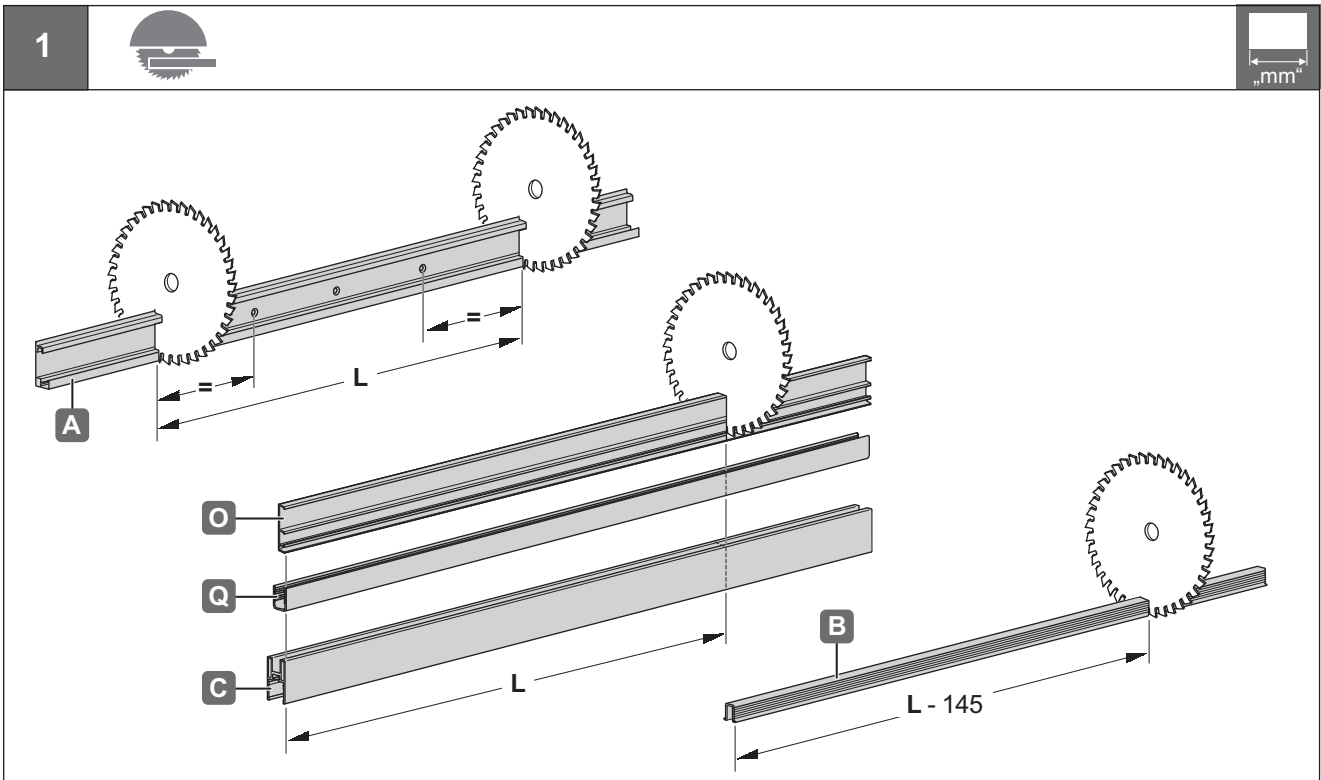


732.29.822

HDE 25.07.2016

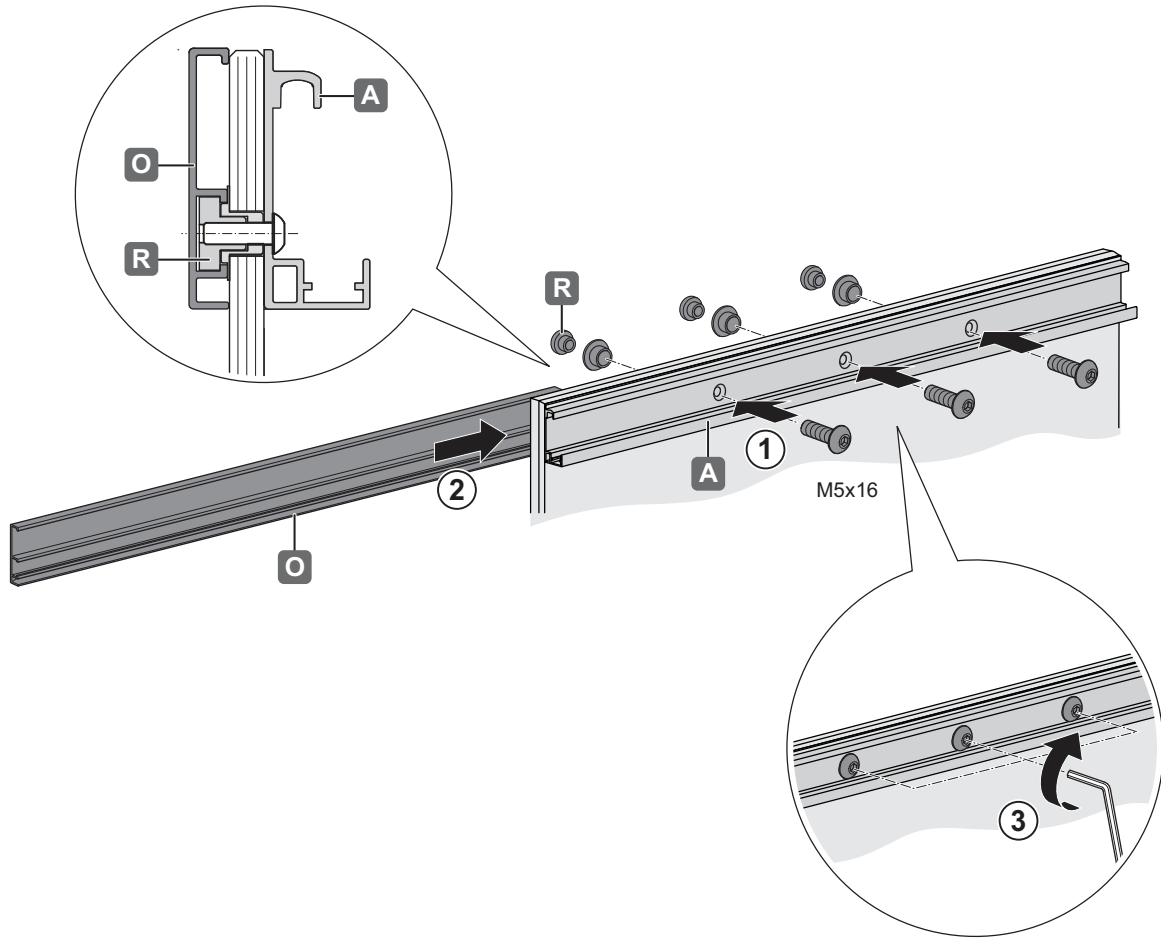


732.29.822



HDE 25.07.2016

2

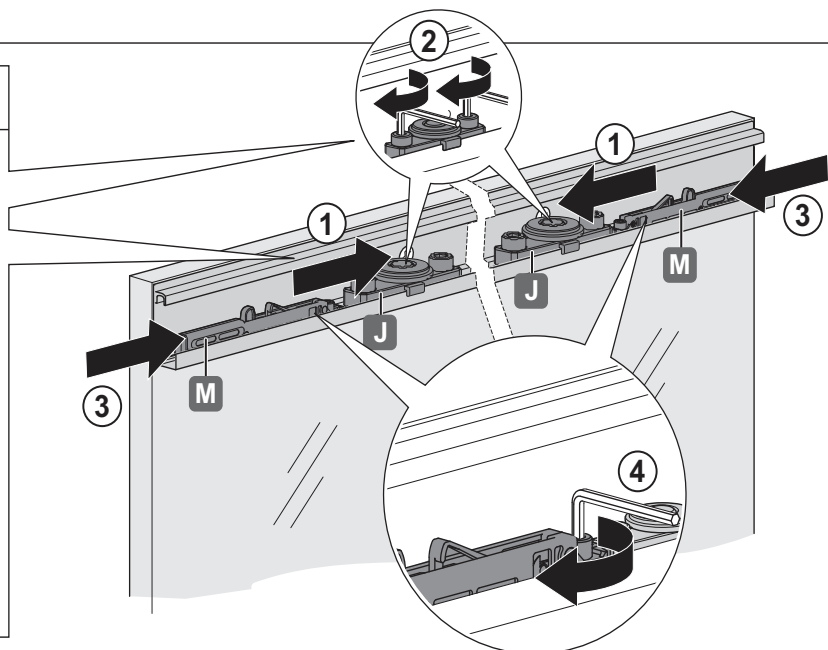
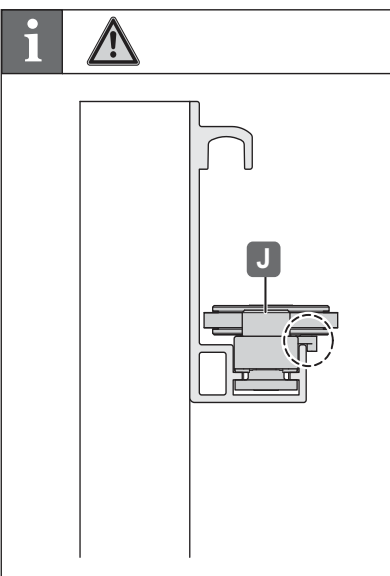


732.29.822

3

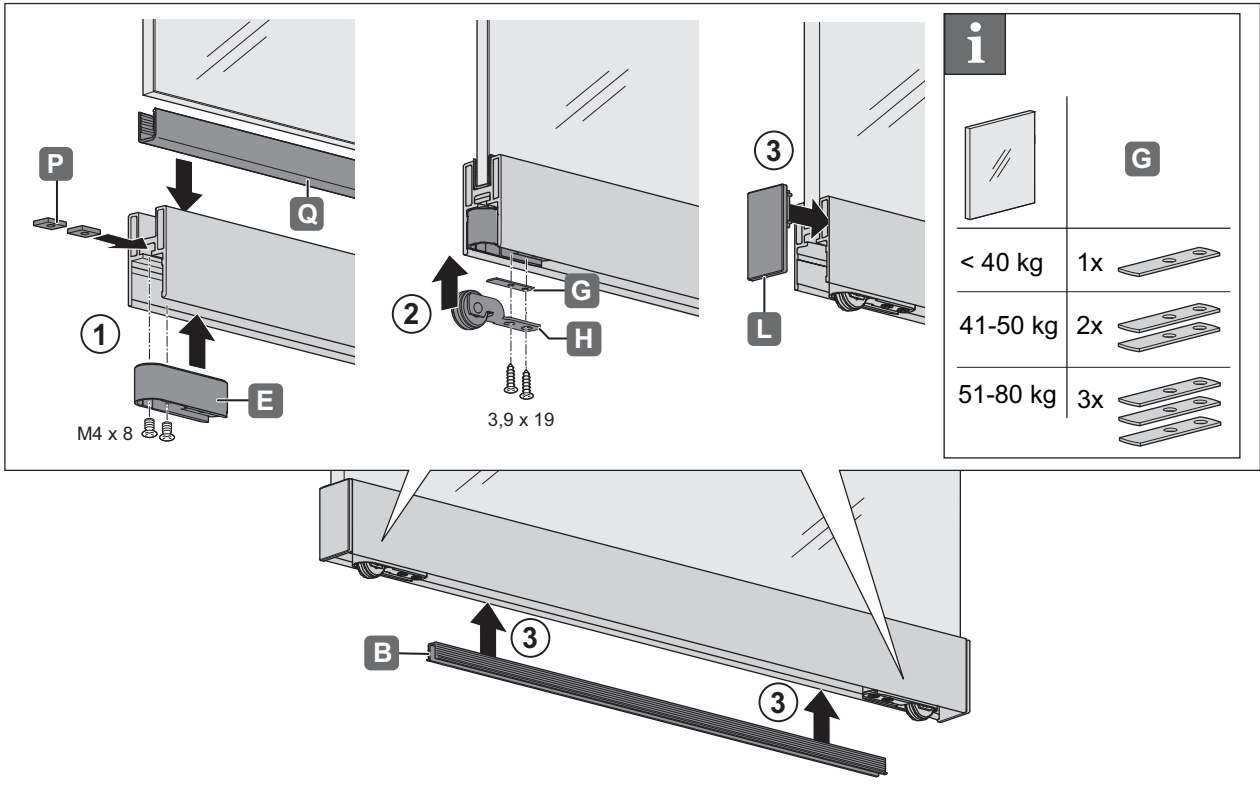


i



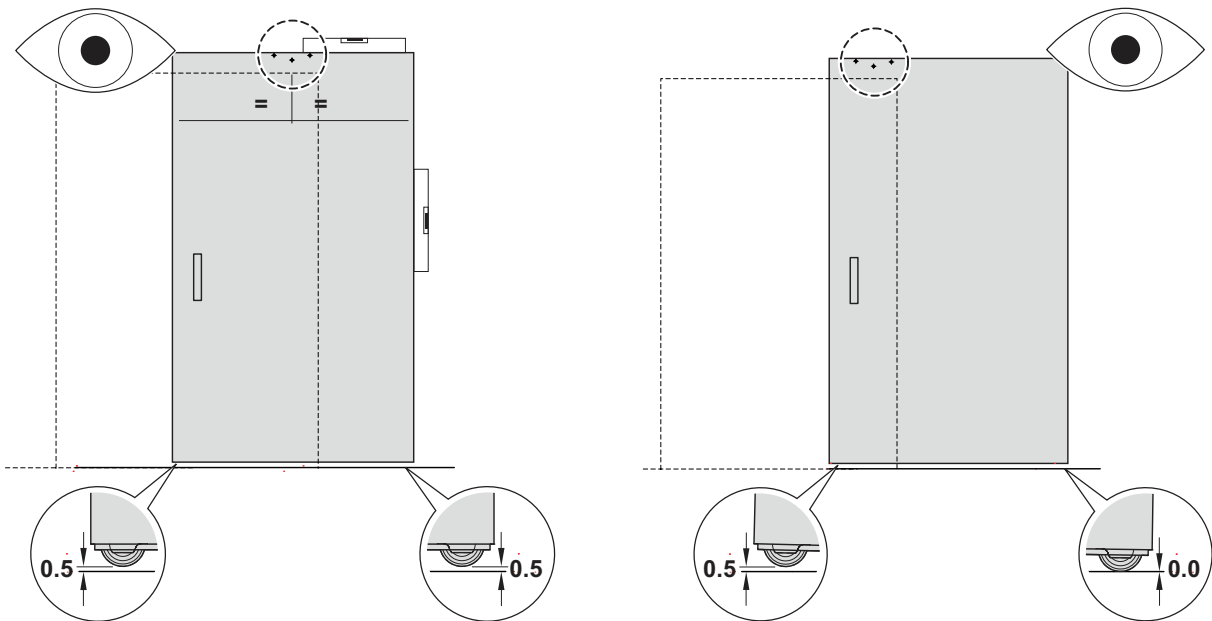
HDE 25.07.2016

4



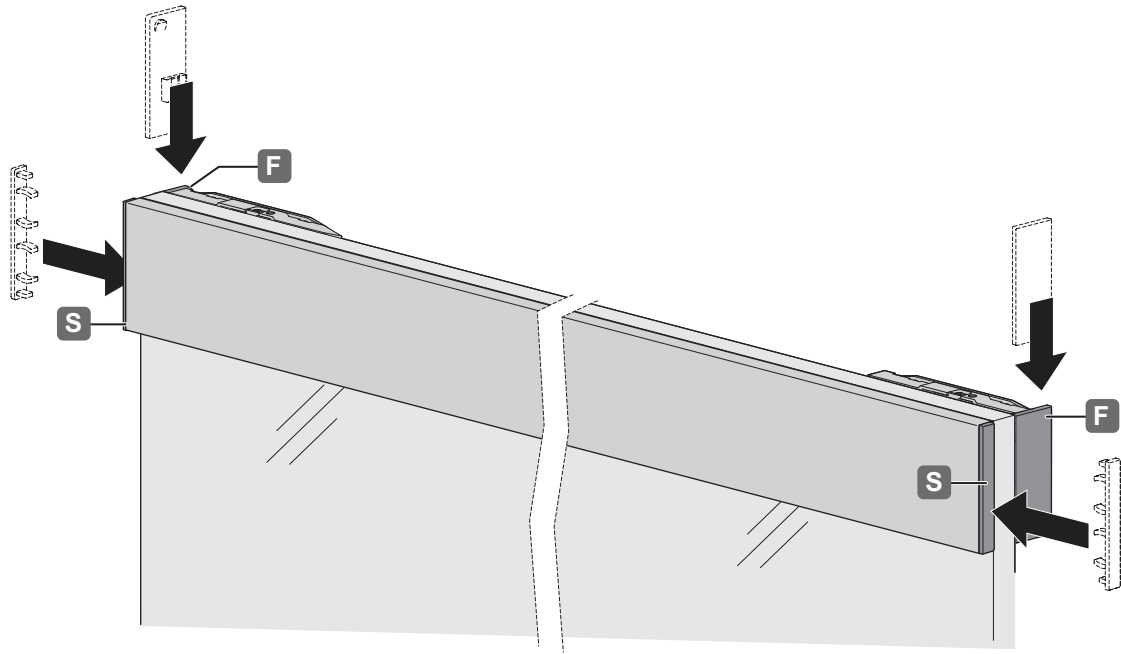
732.29.822

5



HDE 25.07.2016

8



732.29.822

HDE 25.07.2016

732.29.822

HDE 25.07.2016

